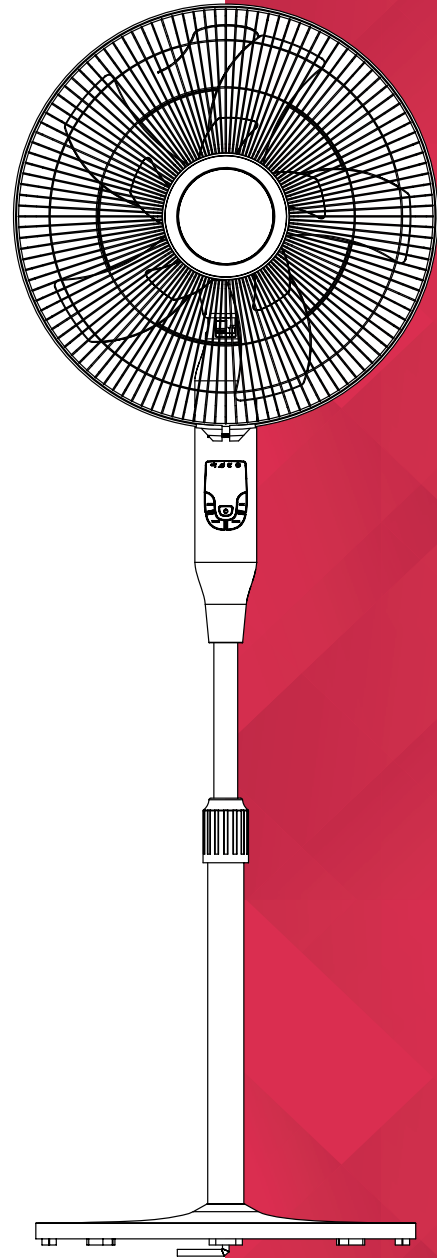




INSTRUCTION MANUAL



40cm DC Digital Pedestal Fan

Model: DCPF40DC

For domestic household use



IMPORTANT

THESE INSTRUCTIONS SHOULD BE READ CAREFULLY AND RETAINED FOR FUTURE REFERENCE. **Note also the information presented on the appliance**

CAUTION: FAILURE TO FOLLOW THESE INSTRUCTIONS MAY CAUSE INJURY AND/OR DAMAGE AND MAY INVALIDATE YOUR WARRANTY

Please read the operating instructions carefully before using your fan for the first time and keep them in a safe place.

WARNING – This appliance must not be used in a bathroom.

WARNING – Do not use this appliance in the immediate surroundings of a bath, a shower or a swimming pool.

- If the mains lead is damaged it must only be replaced by the manufacturer's service agent or a similarly qualified person in order to avoid a hazard.
- This appliance is not intended for use by persons (including children) with reduced physical, sensory or mental capabilities, or lack of experience and knowledge, unless they have been given supervision or instruction concerning use of the appliance by a person responsible for their safety.
- Children should be supervised to ensure they do not play with the appliance.
- The fan must always be switched **OFF** and disconnected from a power supply before removing the guard for cleaning.
- Never immerse the appliance in water or other liquids.
- Operate this unit only on a firm, flat surface.
- Do not place on soft, unstable or non-horizontal/angled surfaces.
- Never operate the appliance if a cable or connector has been damaged, after appliance malfunction or if the appliance was dropped or is otherwise damaged.
- Please ask a professional service agent to repair the product. Improper repair may cause danger to users.
- Disconnect the appliance from mains power whenever it is not in use, before relocating it, and before cleaning.
- Operate the appliance only at the voltage specified on the rating label.
- Only connect the unit to a properly installed and easily accessible socket so that you can quickly disconnect the plug if necessary.
- Do not connect this product to the mains using an extension lead.
- This fan is only intended for **INDOOR RESIDENTIAL** applications. This fan should not be used for commercial or industrial or leisure applications

or in small enclosed spaces.

- Never use the mains lead as a carrying strap or pulling lead.
- To avoid a fire or electrocution hazard, **NEVER** put the cord near heat registers, radiator, stoves or heaters.
- **DO NOT** cover cord with carpeting, throw rugs, runners, or similar coverings.
- **DO NOT** route cord under furniture or appliances. Take care to position the cord away from traffic areas and where it will not be a tripping hazard.
- **DO NOT** use the unit near windows or where water collects. Rain and water collection may lead to a risk of fire or electric shock.
- Only operate this appliance with a minimum of 50cm clearance all around i.e. away from walls, furniture and overhanging objects such as curtains or a shelf.
- **WARNING:** To avoid danger of suffocation please remove all packaging materials particularly plastic and EPS and keep these away from vulnerable people, children and babies.
- **NEVER** drop or insert any object or fingers into any openings.
- Do not use the appliance in locations where paint, petrol or other flammable liquids are used or stored.
- Do not use bug sprays or other flammable cleansers/vapour sprays on or around the unit.
- Always switch off the unit and take the plug out of the socket:
 - If you are not using the unit
 - Before you clean or carry out maintenance on the unit
 - If a fault occurs
 - In the event of an electrical storm.
- Avoid electromagnetic interference. Keep the unit at least 1 metre away from electrical appliances such as televisions & radios.



Exposed to the weather outdoors



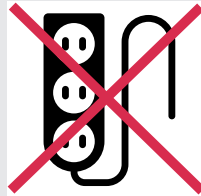
Near water



If the power cable wires are frayed or cut



Where small children may be left unattended



No extension leads or power boards



Where the power cable may be damaged



On a slope or uneven surface



Where there is risk of fire or close to a naked flame



Where it may be damaged by chemicals



Where there is a risk of interference by foreign objects



This product is not made for DIY repair



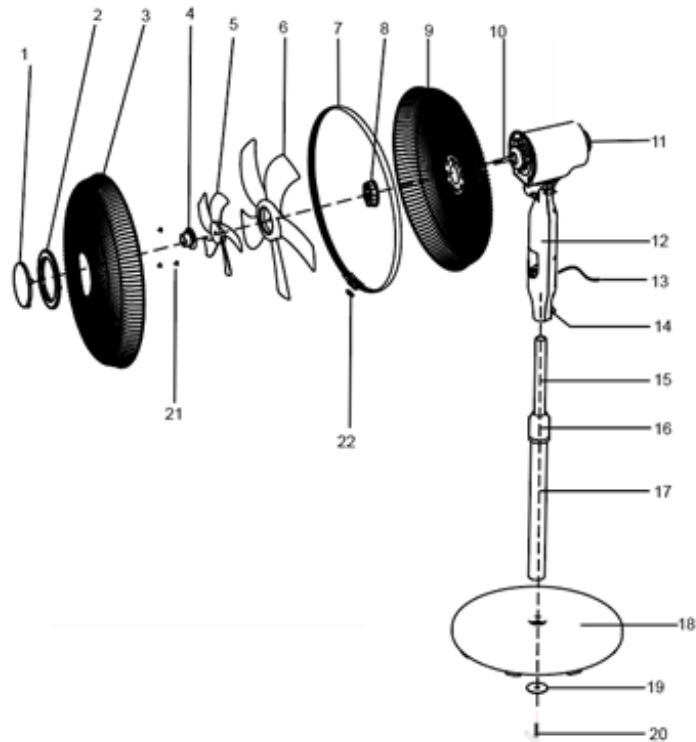
If there is a risk of water falling on the unit

Specification

Model no.	DCPF40DC
Colour	Black
Power supply	220-240V~ 50-60Hz
Rated power	25W
Speed settings	12
Modes	3
Timer	12H (1-12 hours)
Remote	Y (2 * AAA not included)
Adjustable height	Y
Tilt adjustable head	Y
Horizontal oscillation	Y
Weight (net)	5kg
Dimensions (w x d x h)	410 x 410 x 1250mm

- For greater precision, please always refer to the rating label placed on the product.

Fig. 1



- (1) Logo ring front
- (2) Logo ring back
- (3) Front grille
- (4) Blade cap
- (5) Small blade
- (6) Large blade
- (7) Grille fasten ring
- (8) Grille fasten nut
- (9) Rear Grille
- (10) Motor shaft
- (11) Power cord storage pillar

- (12) Body
- (13) Power cord
- (14) Set screw
- (15) Inner pipe
- (16) Height adjust lock
- (17) Outer pipe
- (18) Base
- (19) Clamping washer
- (20) L-shape screw
- (21) Screw for logo ring
- (22) Fastening screw and nut

Assembly

First assemble the base to the main pillar - refer to Fig. 1 & instructions below:

1. First unscrew the L-shaped screw (20) and remove it and the clamping washer (19) from the bottom of the main pillar (17).
2. Turn over the stand base (18). Place the weight in its place on the underside of the base and place the clamping washer (19) in the center of the weighted base (18).
3. Thread the L-shaped screw (20) through the assembly and into the thread of the main pillar (17). Tighten firmly, but do not over-tighten.
4. Set the base on an uneven surface. Loosen the height adjustment lock (16) and pull the upper pillar out of the main pillar and secure the knob to the desired height.

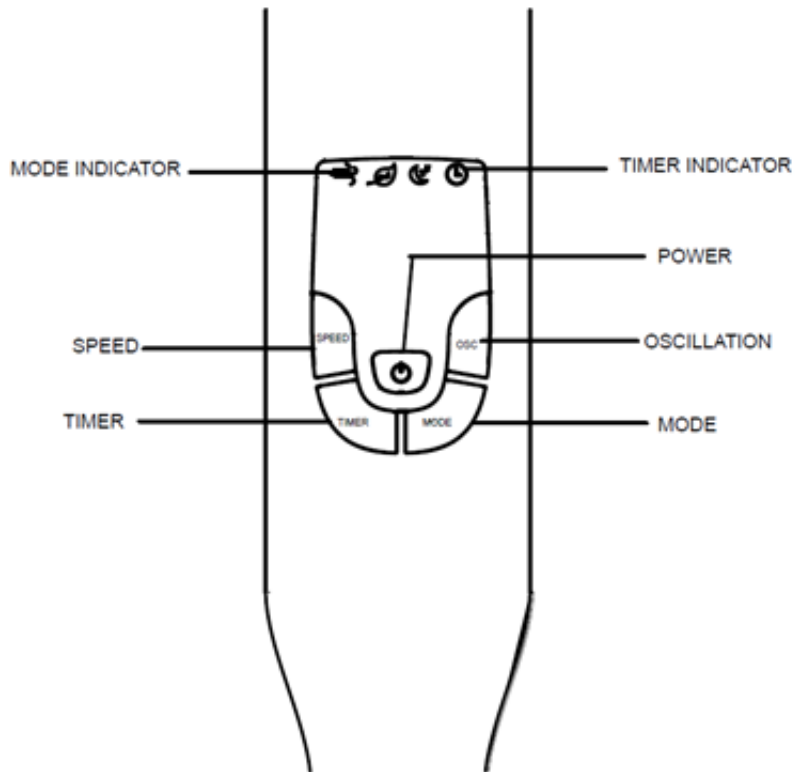
Secondly, attach the motor housing to the base & upper/main pillar and install the rear fan guard - refer to Fig 1 & the instructions below:

1. Place the fan body (12) onto the top of the inner pipe (15) and tighten the set screw (14).
2. Unscrew the rear grille lock nut (8) on the front of the motor by turning counter-clockwise and tighten, but do not over-tighten.
3. Mount the rear grille (9) to the motor shaft (10) by matching the 3 holes on the guard to the 3 positioning knobs on the motor shaft.
4. Replace and tighten the rear grille lock nut (8) by turning the nut clockwise. Take care to not over-tighten the lock nut.

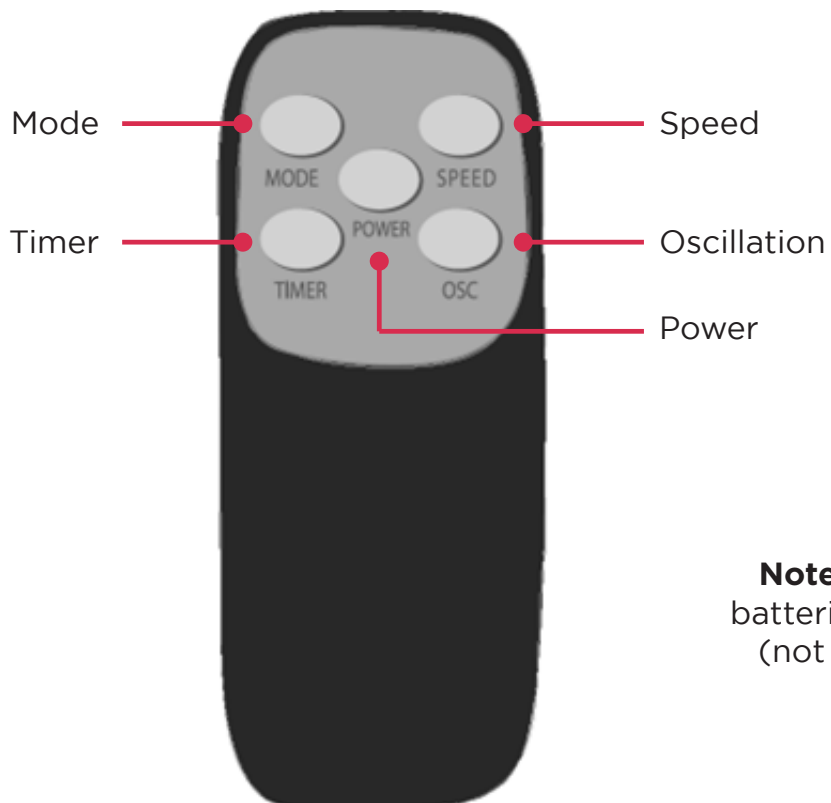
Lastly, attach the fan head to the motor - refer to Fig. 1 & the instructions below:

1. Place the large fan blade (6) onto the motor shaft (10) by matching the shaft slots with the blade's slots.
2. Place the small fan blade (5) in front of the large fan blade (6) and then fasten it using the blade cap (4).
3. Test the fan by rotating the blade with your hands to ensure there isn't any contact with the locking mechanisms. The blade should rotate freely.
4. Mount the front grille (3) onto the rear grille (9) and fasten them together using the grille fasten ring (7).
5. Finally, fit the fastening nut and screw (21) through the hole in the front grille (3) and tighten.

Control Panel



Remote



Note: 2 * AAA batteries required (not included)

Operation

1. Place the fan on a firm level surface. Connect the plug to a power supply and switch on the power.
2. Turn the fan **ON** by pressing the power button.
3. Press the **SPEED** button to set the desired speed. There are 12 speeds levels to choose from.
4. Press the **OSC** button to start or stop the fan head oscillating. The fan head can also be manually tilted vertically.

NOTE: Only adjust the fan head tilt while the unit is **OFF**. Be careful not to insert your fingers through the guard.

5. Press the **MODE** button to change from NORMAL (default) to NATURE, then to SLEEP, then back to NORMAL.
6. Press the **TIMER** button to set a timer from 1H to 12H. Each press of the timer button will increase the timer in 1 hour increments.
7. Turn the fan **OFF** by pressing the power button again.

Cleaning

Over time, dust can accumulate on the front & rear grille cover and fan blades, which can affect the fans performance. It is recommended to clean the fan at least once a month.

1. Turn the unit **OFF** and disconnect the appliance from the power supply.
2. Remove any dust build up with a soft brush.
3. Wipe the surface of the unit with a soft damp cloth. Mild detergent can be used for any stubborn marks.
4. The front guard can be removed for cleaning - simply lift the clips on the ring of the guard and remove the front guard.

DO NOT use abrasive sponges, scouring pads, or a stiff brush to clean this product.

IMPORTANT

The control panel and other parts must not come into contact with water or any other liquids.

Storage

If not using the unit for an extended period of time. After cleaning please:

- Turn the unit off, unplug and take care of the mains lead & plug.

Maintenance

If the unit fails to operate efficiently, is broken or other problems arise, unplug and do not operate. Ask for advice by calling your local after sales service agent or the Customer Care Centre on 1300 556 816 (AU) / 0800 666 2824 (NZ).

Warranty

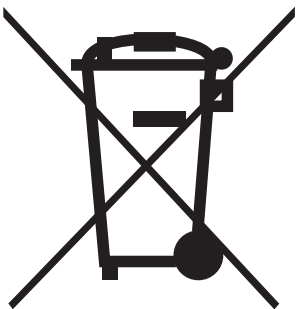
Please refer to the warranty card in the box for warranty information. For any troubleshooting advice, please contact the relative Customer Care Centre below.

Glen Dimplex Australia Pty Ltd

8 Lakeview Drive,
Scoresby 3179, Victoria
Australia
Ph: 1300 556 816

Glen Dimplex New Zealand Ltd

38 Harris Road, East Tamaki,
Auckland 2013
New Zealand
Ph: 0800 666 2824



Recycling: Do not dispose of electrical appliances as unsorted municipal waste. Use separate collection facilities. Contact your local government for information regarding the collection systems available. If electrical appliances are disposed of in landfills or dumps, hazardous substances can leak into the ground water, polluting the food chain and damaging health and well-being.



Customer Care: 1300 556 816
customer.care@glendimplex.com.au
www.dimplex.com.au

Supplied by Glen Dimplex Australia
8 Lakeview Drive, Scoresby, Victoria, 3179

© Glen Dimplex Australia. All rights reserved. Material contained in this publication may not be reproduced in whole or in part, without prior permission in writing of Glen Dimplex Australia.

DCPF40DC V1