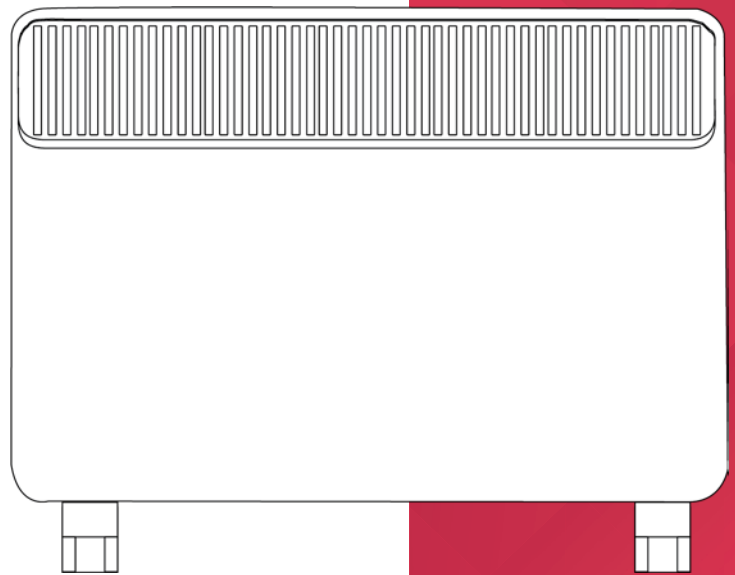




# INSTRUCTION MANUAL



## **1.8kW Panel Heater**

Model: DPH20F

---

For domestic household use  
only.



### IMPORTANT

THESE INSTRUCTIONS SHOULD BE READ CAREFULLY AND RETAINED FOR FUTURE REFERENCE. **Note also the information presented on the appliance**

## CAUTION: FAILURE TO FOLLOW THESE INSTRUCTIONS MAY CAUSE INJURY AND/OR DAMAGE AND MAY INVALIDATE YOUR WARRANTY

Please read the operating instructions carefully before using your product for the first time and keep them in a safe place.


- When using electrical appliances, basic precautions should always be followed to reduce the risk of fire, electrical shock and injury to persons, including the following:
- If the appliance is damaged, check with the supplier before installation and operation.
  - Do not use outdoors.
  - Do not use in the immediate surroundings of a bath, shower or a swimming pool.
  - Do not use this heater if it has been dropped.
  - Do not use if there are visible signs of damage to the heater.
  - Use this heater on a horizontal and stable surface, or fix it to the wall, as applicable.
- Do not locate the appliance immediately below a fixed socket outlet or connection box.
- This appliance is not intended for use by persons (including children) with reduced physical, sensory or mental capabilities, or lack of experience and knowledge, unless they have been given supervision or instruction concerning use of the appliance by a person responsible for their safety.
- Children should be supervised to ensure that they do not play with the appliance.
- Do not use this appliance in series with a thermal control, a program controller, a timer or any other device that switches on the heat automatically, since a fire risk exists when the appliance is accidentally covered or dis-placed.
- In the event of a fault, unplug the appliance.
- Unplug the appliance when not required for long periods.
- This product is only intended for **INDOOR RESIDENTIAL** applications only.
- **DO NOT** cover cord with carpeting, throw rugs, runners, or similar coverings.
- **DO NOT** route cord under furniture or appliances. Take care to position



### IMPORTANT

THESE INSTRUCTIONS SHOULD BE READ CAREFULLY AND RETAINED FOR FUTURE REFERENCE. **Note also the information presented on the appliance**

the cord away from traffic areas and where it will not be a tripping hazard.

- This appliance must not be used in a bathroom.
- Although this appliance complies with safety standards, we do not recommend its use on deep pile carpets or on long hair type of rugs
- The appliance must be positioned so that the plug is accessible.
- If the supply cord is damaged it must be replaced by the manufacturer or service agent or a similarly qualified person in order to avoid a hazard.
- Keep the supply cord away from the front of the appliance.
- Do not use this heater in small rooms when they are occupied by persons not capable of leaving the room on their own, unless constant supervision is provided.
- To reduce the risk of fire, keep textiles, curtains and or flammable material a minimum distance of 1m from the air outlet.
-  In order to avoid overheating, **DO NOT COVER** the appliance. Do not place material or garments on the appliance, or obstruct the air circulation around the appliance, for instance by curtains or furniture, as this could cause overheating and a fire risk.
- In order to avoid a hazard due to inadvertent resetting of the thermal cut-out, this appliance must not be supplied through an external switching device, such as a timer, or connected to a circuit that is regularly switched on and off by the utility.
- **DO NOT** use the unit with an extension lead or power board.
- **CAUTION:** Some parts of this product can become very hot and cause burns. Particular attention has to be given where children and vulnerable people are present.
- Do not use this appliance in series with a thermal control, a program controller, a timer or any other device that switches on the heat automatically, since a fire risk exists when the appliance is accidentally covered or dis-placed.



Exposed to the weather outdoors



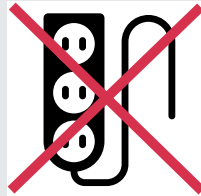
Near water



If the power cable wires are frayed or cut



Where small children may be left unattended



No extension leads or power boards



Where the power cable may be damaged



On a slope or uneven surface



Where there is risk of fire or close to a naked flame



Where it may be damaged by chemicals



Where there is a risk of interference by foreign objects



This product is not made for DIY repair



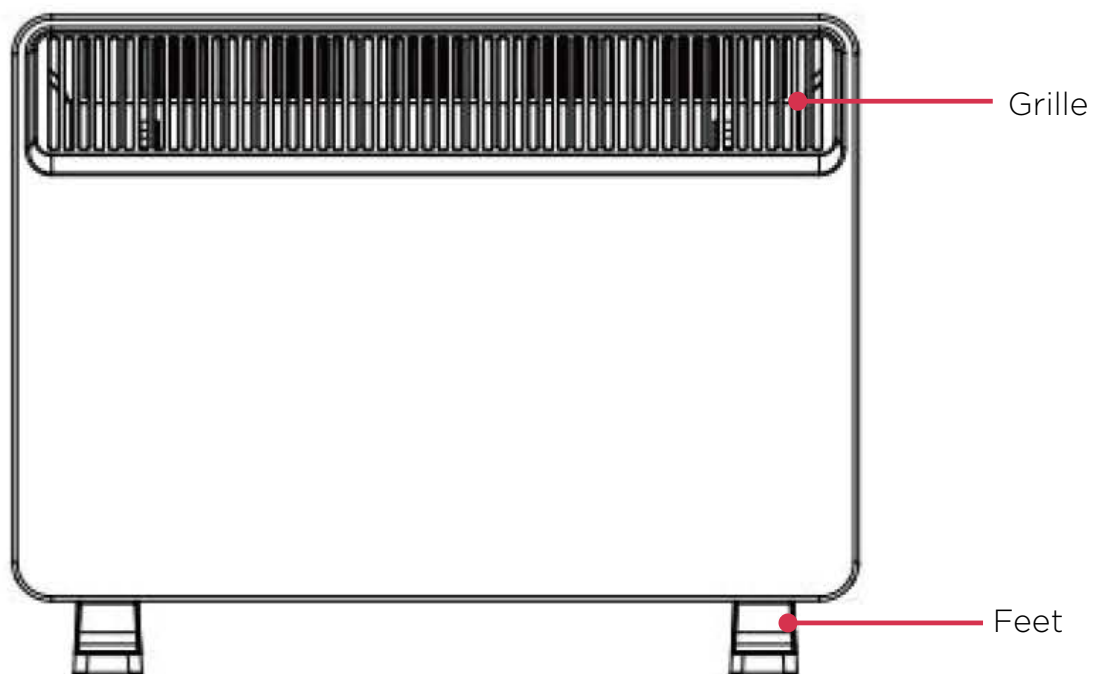
If there is a risk of water falling on the unit

## Specifications

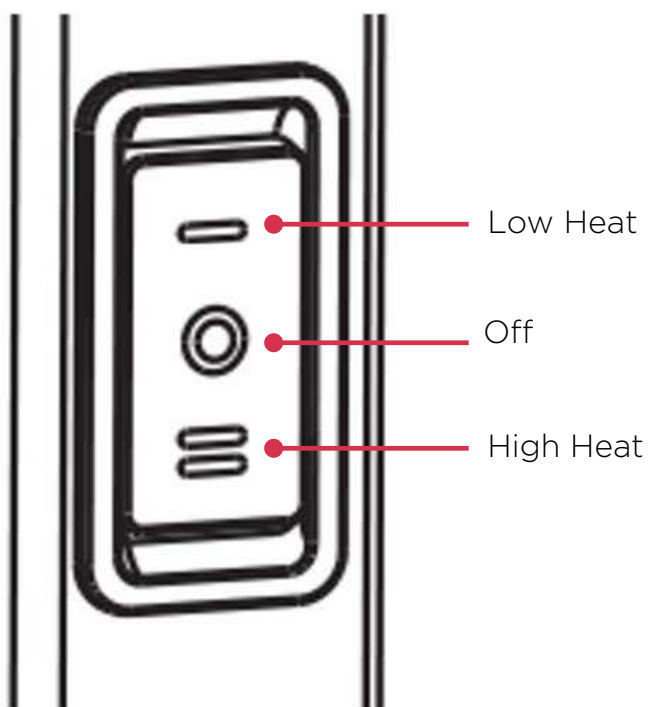
<b>Model no.</b>	<b>DHPH20F</b>
Power supply	220-240V~50-60Hz
Rated power	1800W
Heat settings	2
Thermostat	Y
Wall mountable	N
Castors	Y
Tilt Switch	Y
Timer	N
Turbo Fan	N
Weight (net)	3.8kg
Dimensions (w x d x h)	651 x 89.4 x 504mm

For greater precision, please always refer to the rating label placed on the product.

## Parts

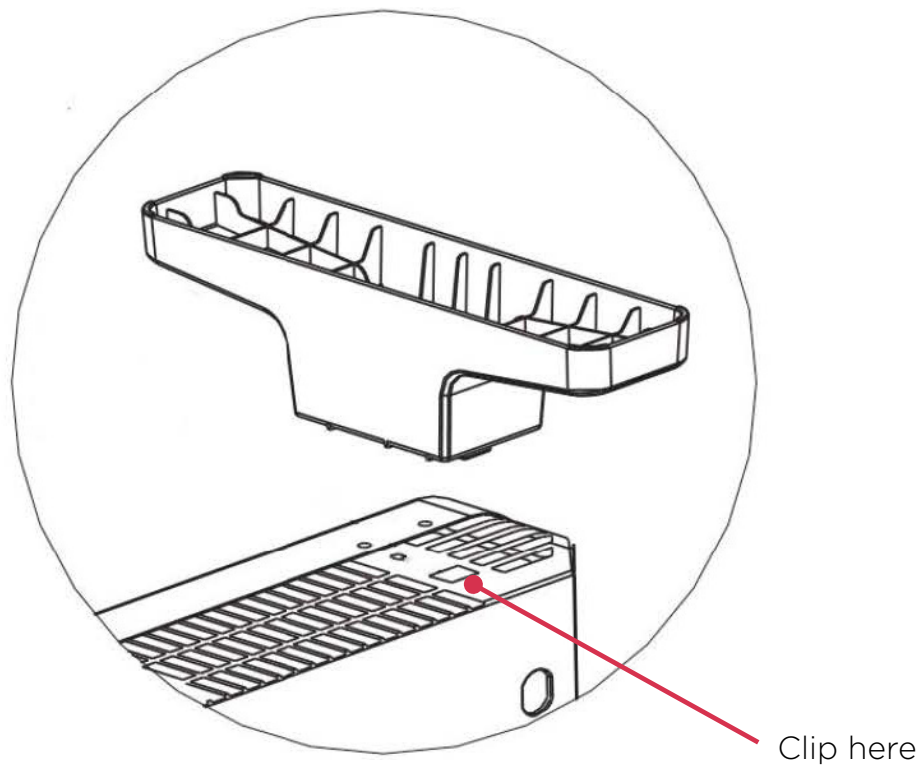


## Controls



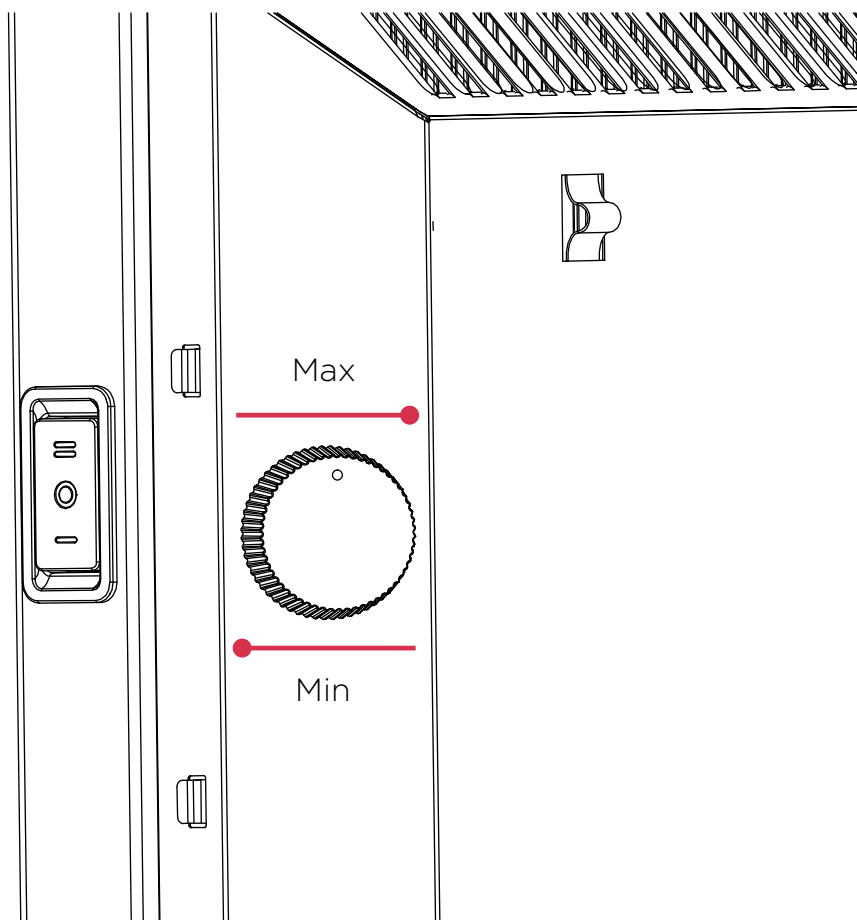
## Assembly

1. Place the unit upside down and remove the pre-installed screws on the bottom of the unit.
2. Insert each foot into the opening slots, ensuring they align correctly.
3. Place the screws back into position through the holes in the foot, and tighten to secure to the unit.
4. Place the unit back into its upright position.



**Note:** Before plugging in for use, ensure the thermostat is set anti-clockwise to the **MIN** setting, and the heater switch is set to **OFF**.

1. Rotate the thermostat completely clockwise, until it reaches the **MAX** position.
2. To turn on the heating function, set the controls to your desired heat setting, either **LOW HEAT** or **HIGH HEAT**. An indicator light will illuminate, showing that the heater is on.
3. When your room reaches the desired temperature, slowly rotate the **THERMOSTAT** anti-clockwise until you hear a click. The **THERMOSTAT** can now be left at this setting. As soon as the room temperature has dropped below the set temperature, the unit will switch itself on automatically until the set temperature has been reached again. This allows the room temperature to remain constant and perform economically.
4. To change the room temperature setting, rotate the thermostat clockwise to raise the temperature, and anti-clockwise to lower it.
5. To switch the heater off, set the **THERMOSTAT** to **MIN** and the control to **OFF**. Then switch the power off at the mains and remove the plug from the outlet.





## Positioning

Select the position for the heater ensuring there is clearance from any furniture and fittings of at least 300mm each side. The heater should only be operated on a flat stable surface.

**NOTE:** The Panel heater is designed for operation on an AC electricity supply, and is only suitable for domestic use and similar indoor locations.

### Tips

- The Panel heater is fitted with castors and handles for ease of movement.
- A power switch provides the ability to choose an available heat output and an adjustable thermostat enables the room temperature to be controlled accordingly.
- Once the castors have been correctly fitted, no other assembly is required, just plug in and play!

## Safety Features

This appliance incorporates a number of safety devices. In addition to the 'Important Safety Advice' section your attention is drawn to the following;

### Tilt Switch

The tilt switch will prevent the heater from working if it is accidentally tipped over on its side.

If the radiator is tipped over while it is hot, disconnect the power and allow it to cool, then stand the radiator back upright. Reconnect the power - normal operation should be resumed.

### **WARNING - ALWAYS DISCONNECT THE POWER SUPPLY BEFORE CLEANING THE HEATER.**

- Do not use detergents, abrasive cleaning powder or polish of any kind on the body of the panel heater.
- Allow the panel heater to cool, then wipe with a dry cloth to remove dust and a damp cloth (not wet) to clean off any marks. Be careful not to allow moisture into to the heater.

### **Storage**

If the heater is not required for long periods, for example during the summer, it should be stored in a dry place and preferably covered to prevent the accumulation of dirt and dust. The supply cord should be neatly coiled around the cable wrap ensuring that the plug does not trail on the floor.

## Maintenance

If the unit fails to operate efficiently, is broken or other problems arise, unplug and do not operate. Ask for advice by calling your local after sales service agent or the Customer Care Centre on 1300 556 816 (AU) / 0800 666 2824 (NZ).

## Warranty

Please refer to the warranty card in the box for warranty information. For any troubleshooting advice, please contact the relative Customer Care Centre below.

Glen Dimplex Australia Pty Ltd  
8 Lakeview Drive,  
Scoresby 3179, Victoria  
Australia  
Ph: 1300 556 816

Glen Dimplex New Zealand Ltd  
38 Harris Road, East Tamaki,  
Auckland 2013  
New Zealand  
Ph: 0800 666 2824



Recycling: Do not dispose of electrical appliances as unsorted municipal waste. Use separate collection facilities. Contact your local government for information regarding the collection systems available. If electrical appliances are disposed of in landfills or dumps, hazardous substances can leak into the ground water, polluting the food chain and damaging health and well-being.



**Customer Care:** 1300 556 816  
customer.care@glendimplex.com.au  
www.dimplex.com.au

Supplied by Glen Dimplex Australia  
8 Lakeview Drive, Scoresby, Victoria, 3179

---

© Glen Dimplex Australia. All rights reserved. Material contained in this publication may not be reproduced in whole or in part, without prior permission in writing of Glen Dimplex Australia.

DHPH20F v1