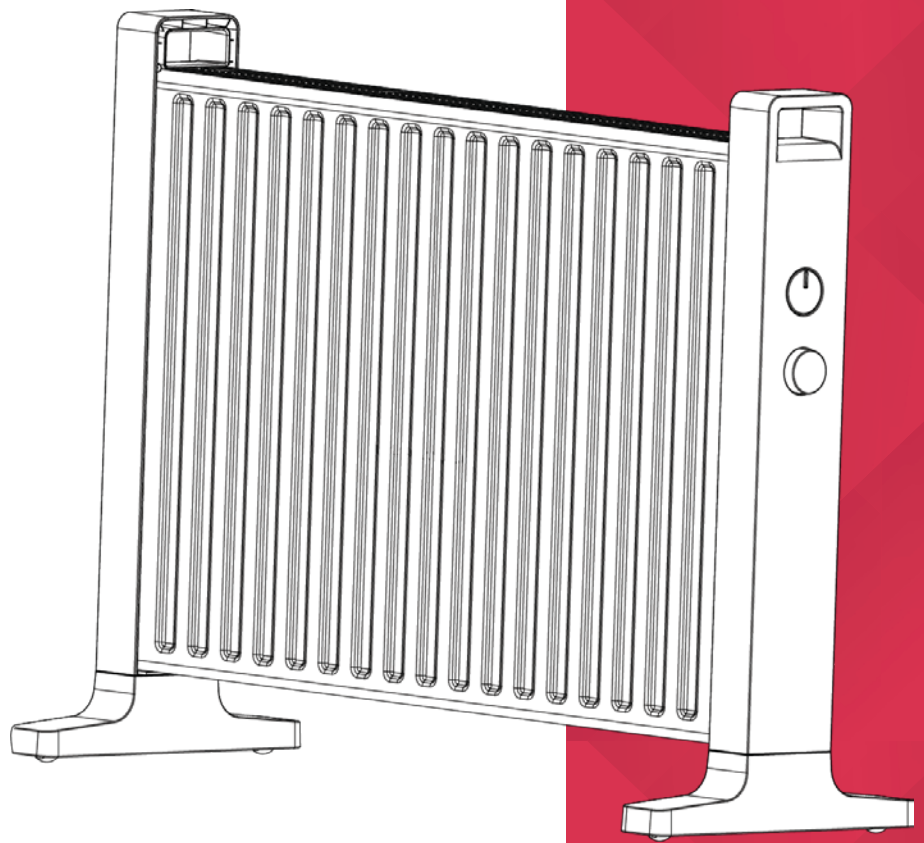




INSTRUCTION MANUAL



2kW Mica Panel Heater

Model: DHMH20C

For domestic household use
only.



IMPORTANT

THESE INSTRUCTIONS SHOULD BE READ CAREFULLY AND RETAINED FOR FUTURE REFERENCE. **Note also the information presented on the appliance**

CAUTION: FAILURE TO FOLLOW THESE INSTRUCTIONS MAY CAUSE INJURY AND/OR DAMAGE AND MAY INVALIDATE YOUR WARRANTY

Please read the operating instructions carefully before using your product for the first time and keep them in a safe place.


- When using electrical appliances, basic precautions should always be followed to reduce the risk of fire, electrical shock and injury to persons, including the following:
- If the appliance is damaged, check with the supplier before installation and operation.
 - Do not use outdoors.
 - Do not use in the immediate surroundings of a bath, shower or a swimming pool.
 - Do not use this heater if it has been dropped.
 - Do not use if there are visible signs of damage to the heater.
 - Use this heater on a horizontal and stable surface, or fix it to the wall, as applicable.
- Do not locate the appliance immediately below a fixed socket outlet or connection box.
- This appliance is not intended for use by persons (including children) with reduced physical, sensory or mental capabilities, or lack of experience and knowledge, unless they have been given supervision or instruction concerning use of the appliance by a person responsible for their safety.
- Children should be supervised to ensure that they do not play with the appliance.
- Do not use this appliance in series with a thermal control, a program controller, a timer or any other device that switches on the heat automatically, since a fire risk exists when the appliance is accidentally covered or dis-placed.
- In the event of a fault, unplug the appliance.
- Unplug the appliance when not required for long periods.
- This product is only intended for **INDOOR RESIDENTIAL** applications only.
- **DO NOT** cover cord with carpeting, throw rugs, runners, or similar coverings.
- **DO NOT** route cord under furniture or appliances. Take care to position



IMPORTANT

THESE INSTRUCTIONS SHOULD BE READ CAREFULLY AND RETAINED FOR FUTURE REFERENCE. **Note also the information presented on the appliance**

the cord away from traffic areas and where it will not be a tripping hazard.

- This appliance must not be used in a bathroom.
- Although this appliance complies with safety standards, we do not recommend its use on deep pile carpets or on long hair type of rugs
- The appliance must be positioned so that the plug is accessible.
- If the supply cord is damaged it must be replaced by the manufacturer or service agent or a similarly qualified person in order to avoid a hazard.
- Keep the supply cord away from the front of the appliance.
- Do not use this heater in small rooms when they are occupied by persons not capable of leaving the room on their own, unless constant supervision is provided.
- To reduce the risk of fire, keep textiles, curtains and or flammable material a minimum distance of 1m from the air outlet.
-  In order to avoid overheating, **DO NOT COVER** the appliance. Do not place material or garments on the appliance, or obstruct the air circulation around the appliance, for instance by curtains or furniture, as this could cause overheating and a fire risk.
- In order to avoid a hazard due to inadvertent resetting of the thermal cut-out, this appliance must not be supplied through an external switching device, such as a timer, or connected to a circuit that is regularly switched on and off by the utility.
- **DO NOT** use the unit with an extension lead or power board.
- **CAUTION:** Some parts of this product can become very hot and cause burns. Particular attention has to be given where children and vulnerable people are present.
- Do not use this appliance in series with a thermal control, a program controller, a timer or any other device that switches on the heat automatically, since a fire risk exists when the appliance is accidentally covered or dis-placed.



Exposed to the weather outdoors



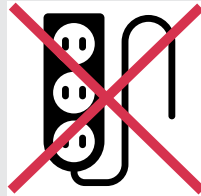
Near water



If the power cable wires are frayed or cut



Where small children may be left unattended



No extension leads or power boards



Where the power cable may be damaged



On a slope or uneven surface



Where there is risk of fire or close to a naked flame



Where it may be damaged by chemicals



Where there is a risk of interference by foreign objects



This product is not made for DIY repair



If there is a risk of water falling on the unit

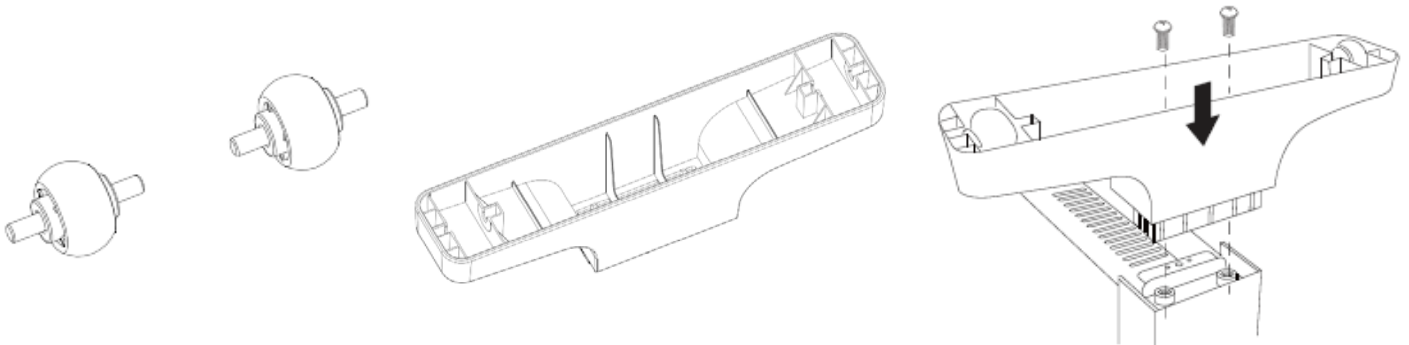
Specifications

Model no.	DHMH20C
Power supply	220-240V~50-60Hz
Rated power	2000W
Heat settings	2
Thermostat	Y
IP rating	IP24
Wall mountable	Y
Castors	Y
Noise Level	50dB(A)
Timer	N
Turbo Fan	N
Weight (net) (with feet & castors)	5.36kg
Dimensions (w x d x h)	780 x 267 x 580mm

For greater precision, please always refer to the rating label placed on the product.

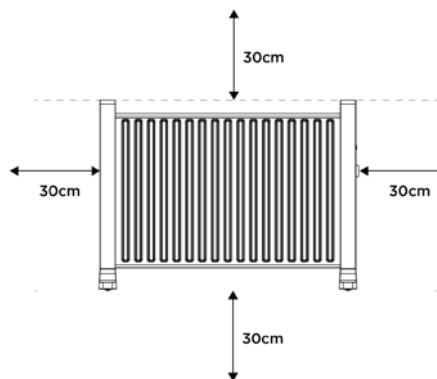
Castor and Feet Assembly

1. Assemble the castors.
2. Fix the castors into the base of the feet.
3. Fix the feet into the base of the unit, by removing the screws on the base and screwing back in through the holes of the feet.

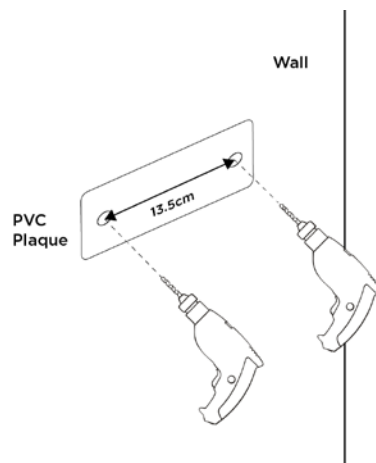


Wall Installation

1. To install the unit on a wall, please ensure to remove the feet and castors. Ensure there is 30cm of space between each side of the unit in the intended mount location.

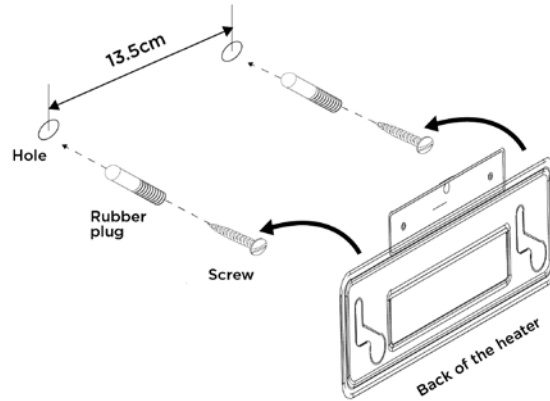


2. Mark two dots on the wall and use the plastic plaque to ensure the distance between the holes meets the requirements as per below (13.5cm).
3. Drill two holes in the wall with a distance of 135mm from each other, and ensure the diameter of each hole is 6mm, and the depth is 30mm.

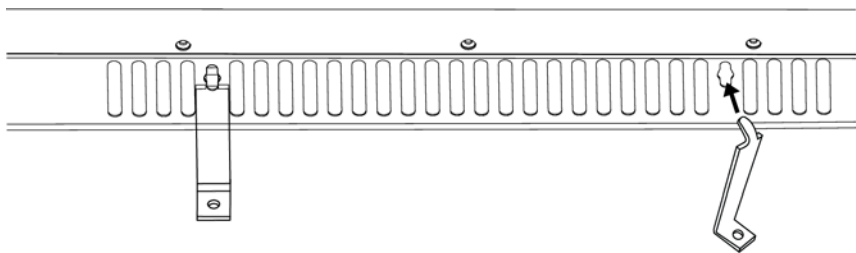


Assembly

4. Fix the provided rubber plugs into the two holes.
5. Fix the provided screws into the rubber plugs. Ensure the screws are sticking out 5mm, to be able to hang the unit.



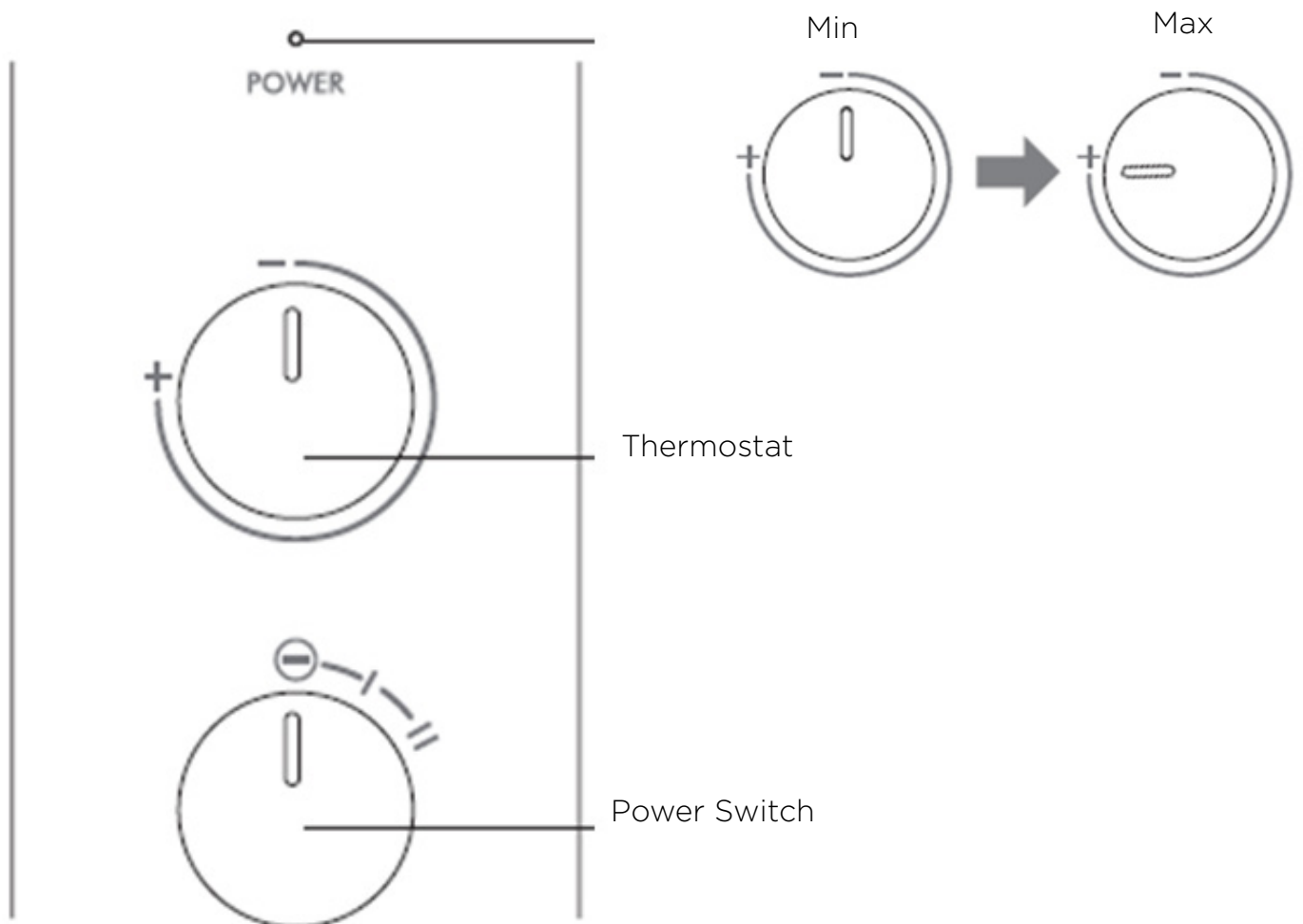
6. Install the wall bracket into one of the slots at the bottom of the heater and drill a third hole into the wall where the provided hole in the bracket is. Repeat above steps regarding hole diameter, rubber plugs and screws to correctly drill the third hole and install the bracket into the wall.



Operation

Put the unit into standby state by plugging into an electrical outlet compliant with the device and local legislation, and switch on.

1. Turn the power switch on the unit to 'I' or 'II.'
2. Turn the thermostat to the max, and the heater will begin to work. Adjust accordingly for your desired temperature.
3. When the power switch is on 'I,' the power is 1200W, and when the power switch is on 'II,' it will work at 2000W.
4. Turn the power switch to the original position to stop the heater.



Positioning

Select the position for the heater ensuring there is clearance from any furniture and fittings of at least 300mm each side. The heater should only be operated on a flat stable surface.

NOTE: The Mica Panel heater is designed for operation on an AC electricity supply, and is only suitable for domestic use and similar indoor locations.

Tips

- The Mica Panel heater is fitted with castors and handles for ease of movement.
- A power switch provides the ability to choose an available heat output and an adjustable thermostat enables the room temperature to be controlled accordingly.
- Once the castors have been correctly fitted, no other assembly is required, just plug in and play!

Safety Features

This appliance incorporates a number of safety devices. In addition to the 'Important Safety Advice' section your attention is drawn to the following;

Tilt Switch

The tilt switch will prevent the heater from working if it is accidentally tipped over on its side.

If the radiator is tipped over while it is hot, disconnect the power and allow it to cool, then stand the radiator back upright. Reconnect the power - normal operation should be resumed.

WARNING - ALWAYS DISCONNECT THE POWER SUPPLY BEFORE CLEANING THE HEATER.

- Do not use detergents, abrasive cleaning powder or polish of any kind on the body of the panel heater.
- Allow the panel heater to cool, then wipe with a dry cloth to remove dust and a damp cloth (not wet) to clean off any marks. Be careful not to allow moisture into to the heater.

Storage

If the heater is not required for long periods, for example during the summer, it should be stored in a dry place and preferably covered to prevent the accumulation of dirt and dust. The supply cord should be neatly coiled around the cable wrap ensuring that the plug does not trail on the floor.

Maintenance

If the unit fails to operate efficiently, is broken or other problems arise, unplug and do not operate. Ask for advice by calling your local after sales service agent or the Customer Care Centre on 1300 556 816 (AU) / 0800 666 2824 (NZ).

Warranty

Please refer to the warranty card in the box for warranty information. For any troubleshooting advice, please contact the relative Customer Care Centre below.

Glen Dimplex Australia Pty Ltd
8 Lakeview Drive,
Scoresby 3179, Victoria
Australia
Ph: 1300 556 816

Glen Dimplex New Zealand Ltd
38 Harris Road, East Tamaki,
Auckland 2013
New Zealand
Ph: 0800 666 2824



Recycling: Do not dispose of electrical appliances as unsorted municipal waste. Use separate collection facilities. Contact your local government for information regarding the collection systems available. If electrical appliances are disposed of in landfills or dumps, hazardous substances can leak into the ground water, polluting the food chain and damaging health and well-being.



Customer Care: 1300 556 816
customer.care@glendimplex.com.au
www.dimplex.com.au

Supplied by Glen Dimplex Australia
8 Lakeview Drive, Scoresby, Victoria, 3179

© Glen Dimplex Australia. All rights reserved. Material contained in this publication may not be reproduced in whole or in part, without prior permission in writing of Glen Dimplex Australia.

DHMH20C v1