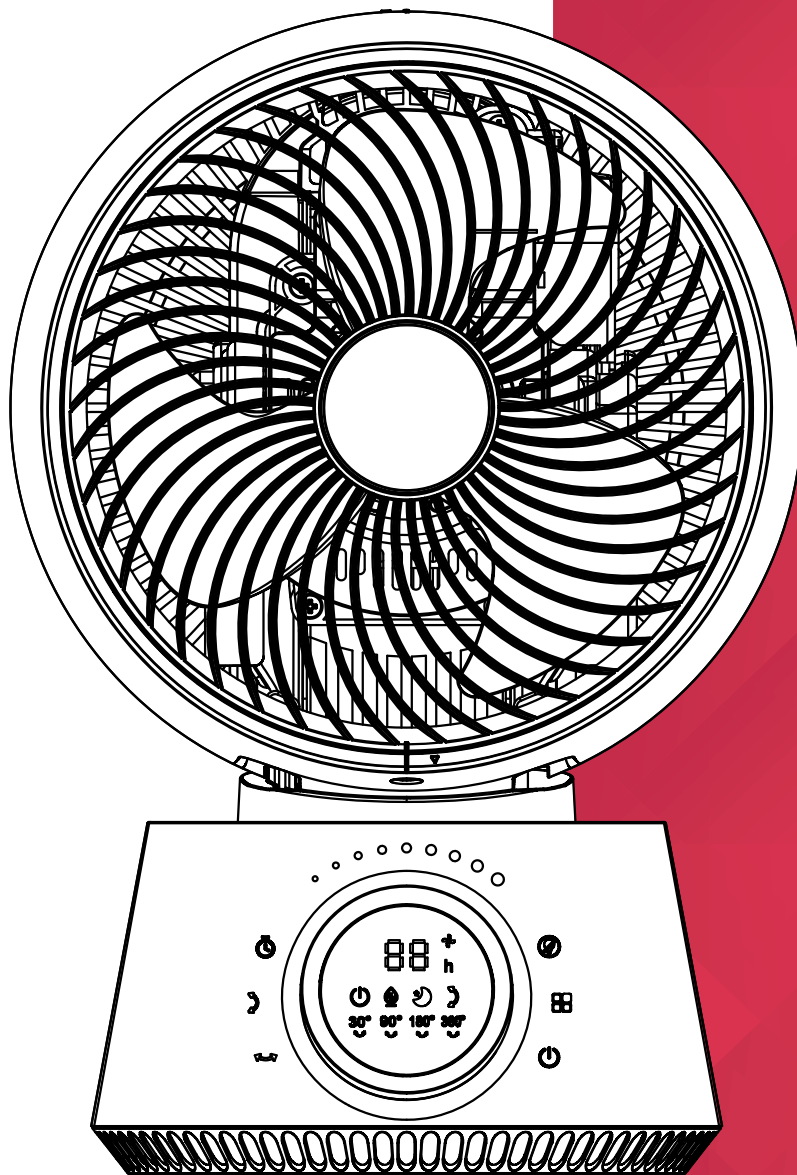




# INSTRUCTION MANUAL



## DC Air Circulator

Model: DCAC20T

---

For domestic household use only.



## IMPORTANT

THESE INSTRUCTIONS SHOULD BE READ CAREFULLY AND RETAINED FOR FUTURE REFERENCE.

**Note also the information presented on the appliance**

### **CAUTION: FAILURE TO FOLLOW THESE INSTRUCTIONS MAY CAUSE INJURY AND/OR DAMAGE AND MAY INVALIDATE YOUR WARRANTY**

Please read the operating instructions carefully before using your air circulator for the first time and keep them in a safe place.

**WARNING** – This appliance must not be used in a bathroom.

**WARNING** – Do not use this appliance in the immediate surroundings of a bath, a shower or a swimming pool.



- If the supply cord is damaged it must only be replaced by the manufacturers service agent or a similarly qualified person in order to avoid a hazard.
- This appliance is not intended for use by persons (including children) with reduced physical, sensory or mental capabilities, or lack of experience and knowledge, unless they have been given supervision or instruction concerning use of the appliance by a person responsible for their safety.
- Children should be supervised to ensure they do not play with the appliance.
- Prior to cleaning or other maintenance, the appliance must be disconnected from the supply mains.
- Never immerse the appliance in water or other liquids.
- Do not place on soft, unstable or non-horizontal/angled surfaces.
- Never operate the appliance if a cable or connector has been damaged, after appliance malfunction or if the appliance was dropped or is otherwise damaged.
- If the mains lead is damaged it must only be replaced by the manufacturers service agent or a similarly qualified person in order to avoid a hazard.
- Please ask a professional service agent to repair the product. Improper repair may cause danger to users.
- Disconnect the appliance from mains power whenever it is not in use, before relocating it, and before cleaning.
- Operate the appliance only at the voltage specified on the rating label.
- Only connect the unit to a properly installed and easily accessible socket so that you can quickly disconnect the plug if necessary.
- Do not connect this product to the mains using an extension lead.
- This air circulator is only intended for **INDOOR RESIDENTIAL** applications. This air circulator should not be used for commercial or industrial or leisure applications or in small enclosed spaces.
- Never use the mains lead as a carrying strap or pulling lead.
- To avoid a fire or electrocution hazard, **NEVER** put the cord near heat registers, radiator, stoves or heaters.

- **DO NOT** cover cord with carpeting, throw rugs, runners, or similar coverings.
- **DO NOT** route cord under furniture or appliances. Take care to position the cord away from traffic areas and where it will not be a tripping hazard.
- **DO NOT** use the unit near windows or where water collects. Rain and water collection may lead to a risk of fire or electric shock.
- **WARNING** - To avoid danger of suffocation please remove all packaging materials particularly plastic and EPS and keep these away from vulnerable people, children and babies.
- **NEVER** drop or insert any object or fingers into any openings.
- Do not use the appliance in locations where paint, petrol or other flammable liquids are used or stored.
- Do not use bug sprays or other flammable cleansers/vapour sprays on or around the unit.
- Always switch off the unit and take the plug out of the socket:
  - If you are not using the unit
  - Before you clean or carry out maintenance on the unit
  - If a fault occurs
  - In the event of an electrical storm.
- Avoid electromagnetic interference. Keep the unit at least 1 metre away from electrical appliances such as televisions & radios.
- Use this appliance on a horizontal and stable surface.
- This appliance is not intended for use by persons (including children) with reduced physical, sensory or mental capabilities, or lack of experience and knowledge, unless they have been given supervision or instruction concerning use of the appliance by a person responsible for their safety.
- Children should be supervised to ensure that they do not play with the appliance.
- Children shall not plug in, regulate and clean the appliance or perform user maintenance.
- **DO NOT** use this appliance with an extension lead or power board.



## WARNING - KEEP BATTERIES OUT OF REACH OF CHILDREN

- Swallowing may lead to serious injury in as little as 2 hours or death, due to chemical burns and potential perforation of the oesophagus.
- If you suspect your child has swallowed or inserted a button battery immediately call the 24-hour Poisons Information Centre on 13 11 26 (in Australia) or 0800 764 766 (in New Zealand) for fast, expert advice.
- Examine devices and make sure the battery compartment is correctly secured, e.g. that the screw or other mechanical fastener is tightened. Do not use if the compartment is not secure.
- Dispose of used button batteries immediately and safely. Flat batteries can still be dangerous.
- Do not ingest battery, Chemical Burn Hazard.
- This product contains a coin/button cell battery. If the coin/button cell battery is swallowed, it can cause severe internal burns in just 2 hours and can lead to death.
- Keep new and used batteries away from children.
- If the battery compartment does not close securely, stop using the product and keep it away from children. If you think batteries might have been swallowed or placed inside any part of the body, seek immediate medical attention.
- The batteries contain materials, which are hazardous to the environment; they must be removed from the appliance before it is scrapped and they are disposed of safely.





Exposed to the weather outdoors



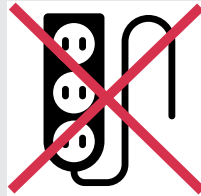
Near water



If the power cable wires are frayed or cut



Where small children may be left unattended



No extension leads or power boards



Where the power cable may be damaged



On a slope or uneven surface



Where there is risk of fire or close to a naked flame



Where it may be damaged by chemicals



Where there is a risk of interference by foreign objects



This product is not made for DIY repair



If there is a risk of water falling on the unit

## Specification

<b>Model no.</b>	<b>DCAC20T</b>
Power supply	220-240V~, 50Hz
Rated power	26W
Speed settings	32
Timer	12 hours
Air speed	6.5m/s
Vertical oscillation	80°
Horizontal oscillation	360°
Noise level (MAX)	56dB(A)
Weight (net)	2.5kg
Dimensions (w x d x h)	255 x 237 x 374mm

- For greater precision, please always refer to the rating label placed on the product.

## How It Works

In contrast to a traditional fan which brings only cooling benefits when directly facing you; an air circulator works for any season, keeping the air in motion and making the entire room more comfortable to be in.

Most fans simply lack the aerodynamics to keep the air in the room in motion. As opposed to blowing air directly in contact with it, our Dimplex air circulators create a 3D oscillating draught in the form of an invisible jet stream.

This jet stream helps maintain a constant room temperature by ridding the room of cold and warm spots. It also clears stuffy atmospheres by circulating stale air with fresh air from an open window.

Air circulators are the safe, all-year-round temperature regulation solution you've been looking for.

## Where To Position

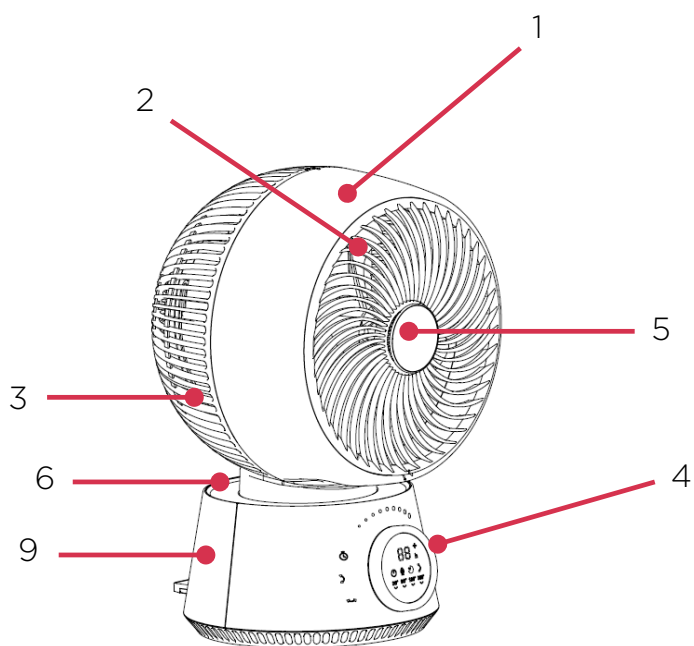
During Summer, pointing the air circulator towards a wall halfway between the floor and the ceiling, as well as using the highest setting, will set up a high speed air circulation pattern.

This will cool down the room in an efficient manner. Pointing towards your air conditioner will help distribute the cool air faster, saving time and energy; essentially Turbo boosting your A/C.

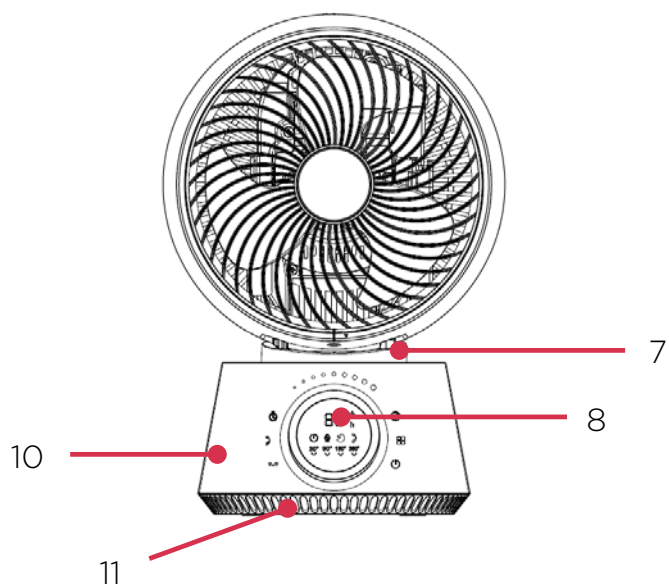
During Winter, the use of a heater alone produces warm air that rises naturally to the ceiling.

By pointing the air circulator upwards, and utilising the lowest speed setting, the hot air will circulate with the cooler air near the floor, resulting in a more even room temperature.

# Parts



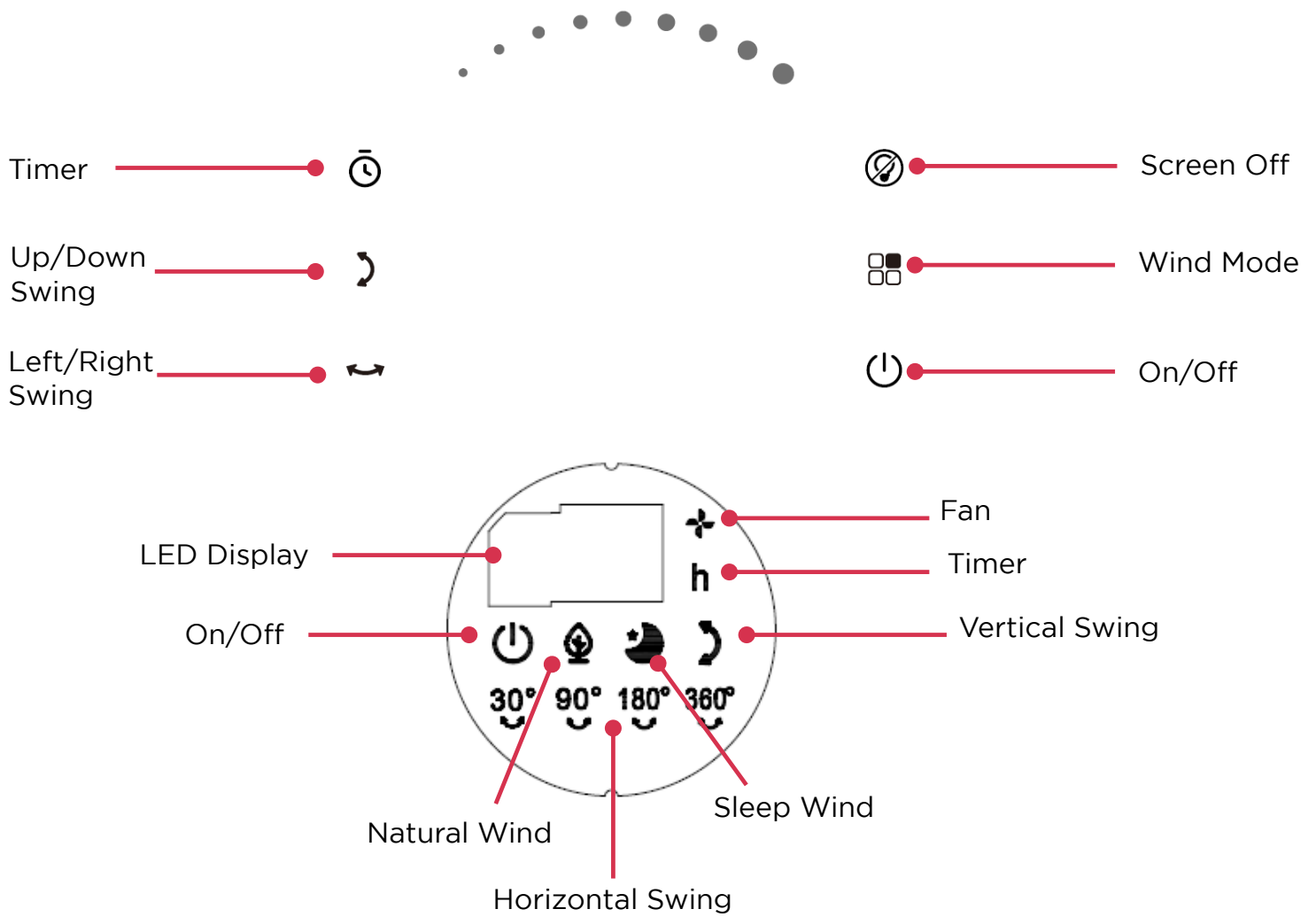
- (1) Fan Head
- (2) Front Grille
- (3) Back Grille
- (4) Speed Dial
- (5) Front Cover
- (6) Upper Base Cover



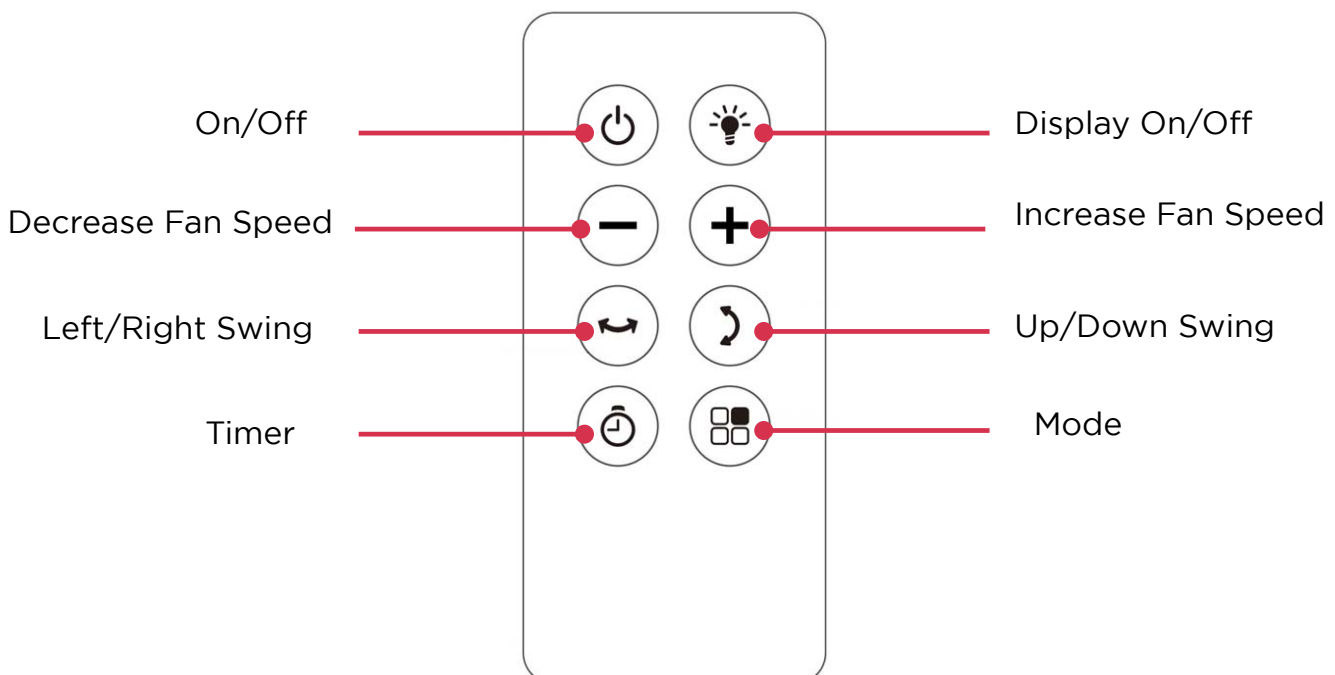
- (7) Rotating Bracket
- (8) Display Window
- (9) Rear Shell
- (10) Front Shell
- (11) Bottom Cover



## Control Panel & LED Display



## Remote Control



## **ON/OFF**

After the power is turned on, the device will beep twice and enter standby state. In standby state, all functions and displays will be off, and all buttons aside from the On/Off button are invalid. In standby state, pressing the On/Off button once will turn on the device. By default the power indicator light and the fan LED display showing 10 levels of wind speed will turn on. All other functions remain off. To turn the device off or back into standby state, press the On/Off button once more. If the left/right function is turned on, the device will automatically return to centre point before switching off.

## **SPEED DIAL**

When the device is switched on, you can set the wind speed between 1-32 by adjusting the speed dial. By rotating the dial to the right, the wind speed will gradually increase. When the maximum wind speed is reached (32), a buzzer will beep. If you keep rotating to the right after reaching max speed, the speed will no longer increase and the buzzer will beep continuously. By turning the dial to the left, the wind speed will gradually decrease. Once you reach the minimum wind speed, the device will beep, and do so continuously. 5 Seconds after setting your desired speed, the display will show the current wind speed. The default operation of the speed dial is to change wind speed, however if you press the Timer button, and enter the desired timer setting, the speed dial is also used to adjust the timer setting.

## **TIMER SETTING**

Press the Timer button to begin setting the timer on your device. When you press this button, 'h' will light up on the LED display. Use the speed dial to choose the timer setting between 0-12 hours. When adjusting the timer, rotating the dial to the right will gradually increase the time length. When it reaches the maximum value (12 hours) the device will beep, and will do so continuously. Rotating the dial to the left will gradually decrease the time length, and the device will beep, when you reach the minimum timer setting. After entering the timer setting mode, the previous timer setting will not yet be changed. The timer will only be reset when the timer value is changed by the speed dial, and will take effect after pressing the timer button to exit the function. After 5 seconds, the desired time setting will be displayed on the LED screen. Once the timer is finished, the device will immediately enter standby state. You can also use this function to schedule the device to turn on. Press the Timer button when the device is in standby state, and follow the above process to set a time to activate this function.

## **WIND MODE**

By default, when the wind mode button is first pressed, the device will automatically be on normal wind mode. Press the button again to switch modes. This will switch the device wind modes in the following sequence: Normal - Natural - Sleep - Normal etc. The corresponding indicator shows the function. The normal wind speed mode has no indicator. When you switch the wind mode to natural, the LED display will show a leaf. In natural wind mode, the 32 speeds are divided into three groups. 1-10 is low level natural wind speed, 11-20 is medium level and 21-32 is high level. The display shows 10 levels under low level, 20 under medium and all 32 under high level. In natural mode, the encoder switch can only select level 10, level 20 or level 32 wind speed. When you switch the device to sleep mode, the LED display shows a moon. In sleep mode, the encoder switch can only select level 10, level 20 or level 32.

## **VERTICAL SWING**

Press the Up/Down Swing button to set off the vertical swing functionality. This device will oscillate up to 80° vertically. When this function is switched on, the LED display will show the vertical arrow symbol.

## **HORIZONTAL SWING**

Press the Left/Right swing button to set of the horizontal swing functionality. This device can oscillate up to 360° horizontally. You can select how much swing you desire by pressing the button multiple times. You can choose between 30°, 90°, 180° or the full 360°. 30° is the default setting. The LED display will show the desired angle setting, as well as the side to side arrow icon.

## **SCREEN OFF**

Press the Screen Off button to turn the display off whilst in operation. This will ensure all indicator lights are switched off.

## **OTHER**

**Power Memory Function:** By pressing the On/Off button in standby state, your device will remember the state it was operating in before it was shut off, and automatically return to these settings. Please note however, the timer function will always need to be reset.

**Display Brightness:** After the device has been working for 1 minute, continuously, the brightness of the display will be reduced to 1/3 of the normal brightness level to reduce glare at night.

## Cleaning

Over time, dust can accumulate on the grille covers, filter (if applicable) and fan blades, which can affect the fans performance. It is recommended to clean the fan at least once a month.

1. Turn the unit OFF and disconnect the appliance from the power supply.
2. Remove any dust build up with a soft brush.
3. Wipe the surface of the unit with a soft damp cloth. Mild detergent can be used for any stubborn marks.

### **IMPORTANT**

The control panel and other parts must not come into contact with water or any other liquids.

### **Storage**

If not using the unit for an extended period of time. After cleaning please:

- Turn the unit off, unplug and take care of the mains lead & plug.
- Cover the unit and store it upright in a location where it will not receive direct sunlight. NB- Prolonged exposure to direct sunlight will discolour the outer casing.

## Maintenance

If the unit fails to operate efficiently, is broken or other problems arise, unplug and do not operate. Ask for advice by calling your local after sales service agent or the Customer Care Centre on 1300 556 816 (AU) / 0800 666 2824 (NZ).

## Warranty

Please refer to the warranty card in the box for warranty information. For any troubleshooting advice, please contact the relative Customer Care Centre below.

### **Glen Dimplex Australia Pty Ltd**

8 Lakeview Drive,  
Scoresby 3179, Victoria  
Australia  
Ph: 1300 556 816

### **Glen Dimplex New Zealand Ltd**

38 Harris Road, East Tamaki,  
Auckland 2013  
New Zealand  
Ph: 0800 666 2824



Recycling: Do not dispose of electrical appliances as unsorted municipal waste. Use separate collection facilities. Contact your local government for information regarding the collection systems available. If electrical appliances are disposed of in landfills or dumps, hazardous substances can leak into the ground water, polluting the food chain and damaging health and well-being.







**Customer Care:** 1300 556 816  
customer.care@glendimplex.com.au  
www.dimplex.com.au

Supplied by Glen Dimplex Australia  
8 Lakeview Drive, Scoresby, Victoria, 3179

---

© Glen Dimplex Australia. All rights reserved. Material contained in this publication may not be reproduced in whole or in part, without prior permission in writing of Glen Dimplex Australia.