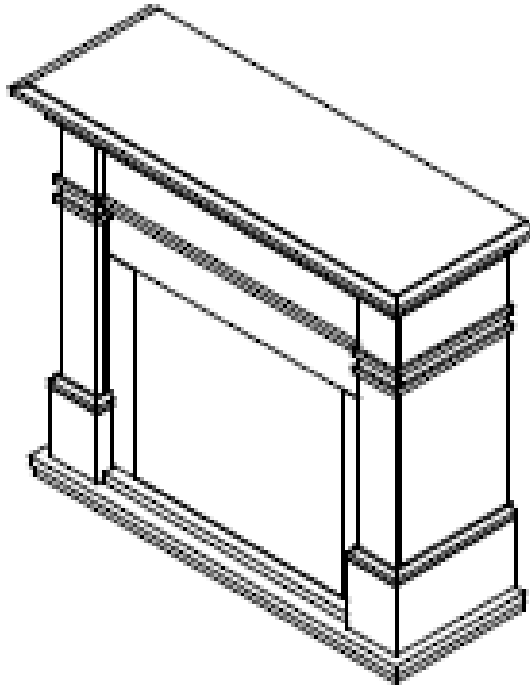


# Dimplex<sup>®</sup>



KENTON SUITE      KTN20-AU

EN

In keeping with our policy of continuous product development, we reserve the right to make changes without notice.

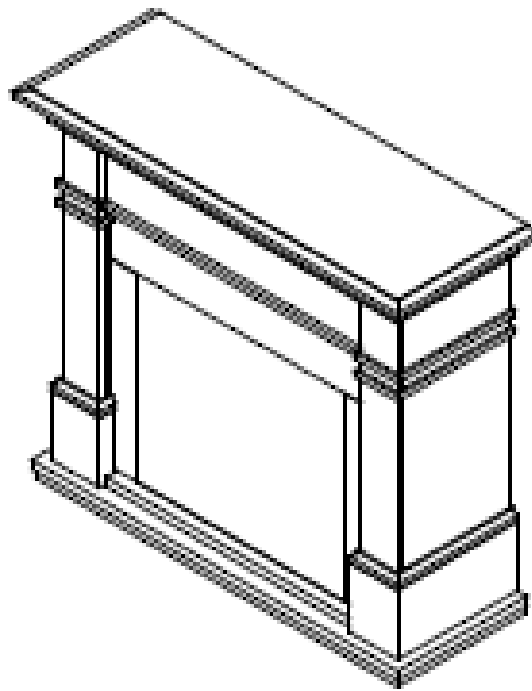
8/54283/0    Issue 1

---

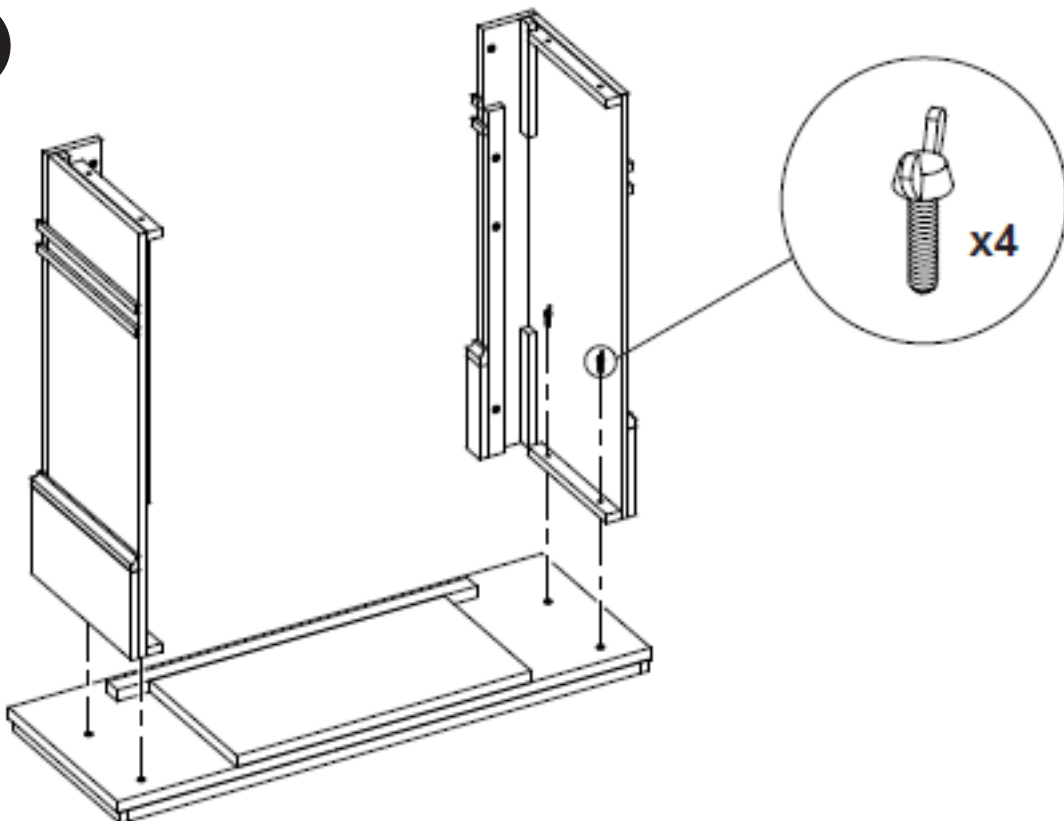
 The product complies with the European Safety Standards and the European Standard Electromagnetic Compatibility (EMC). These cover the essential requirements of EEC Directives.

# Assembly Instructions

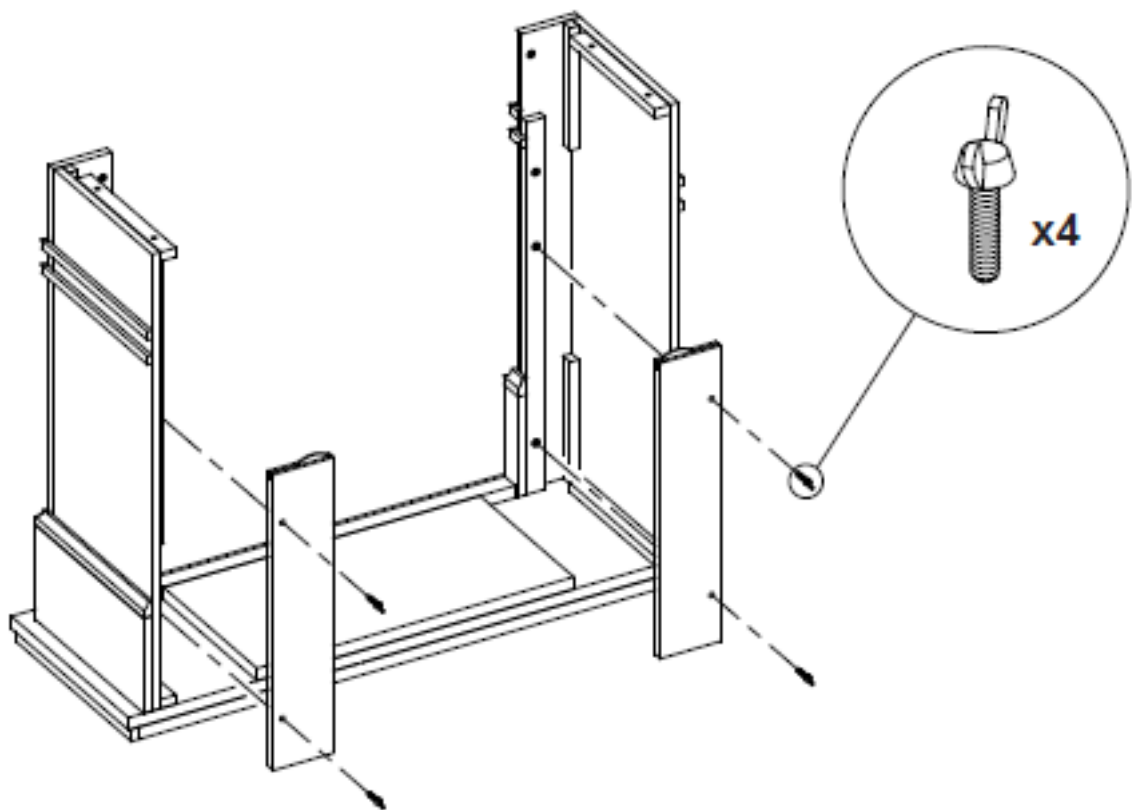
---



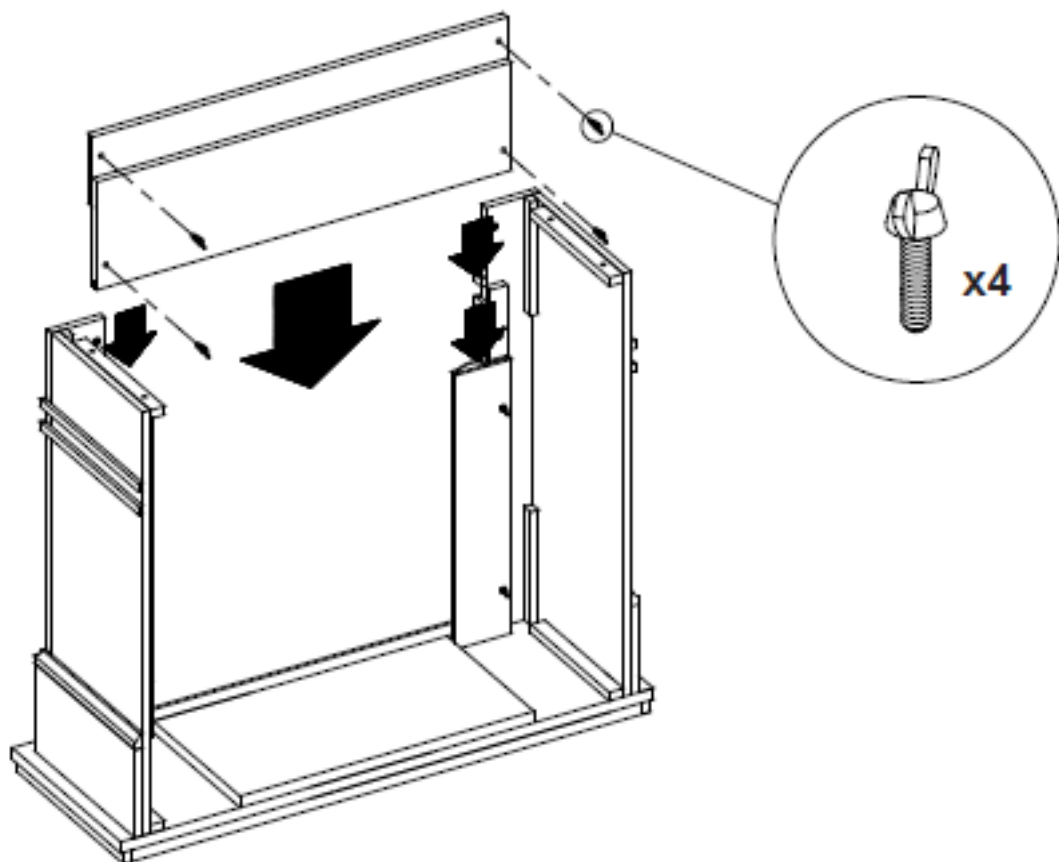
**1**



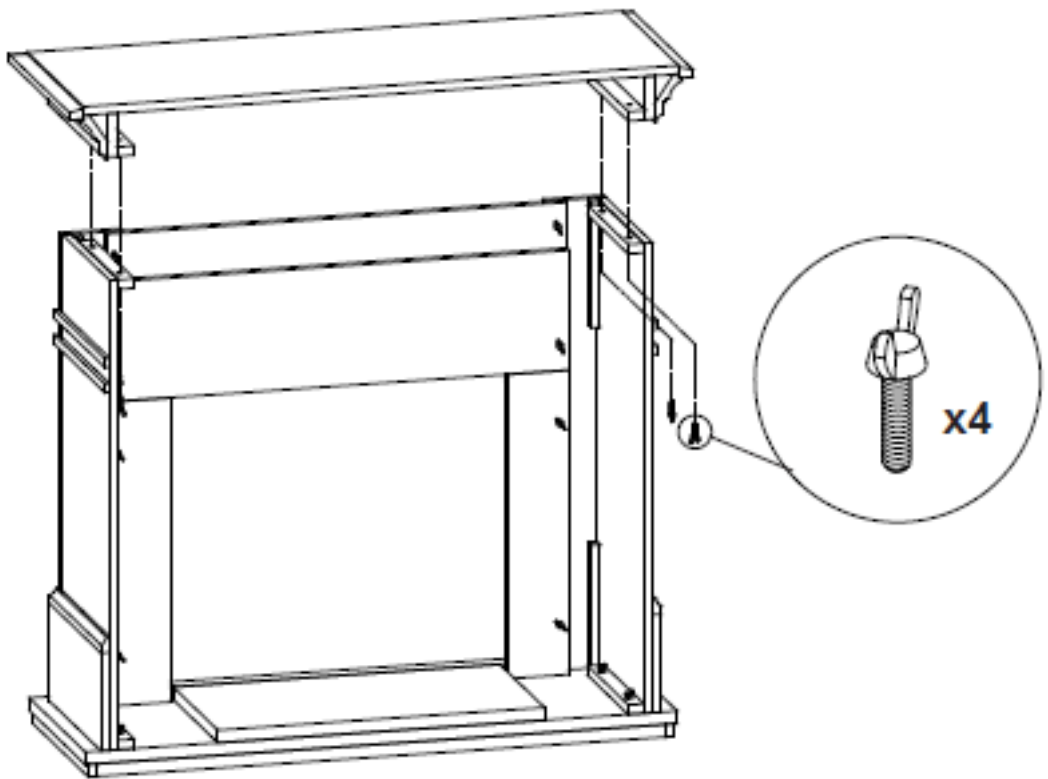
2



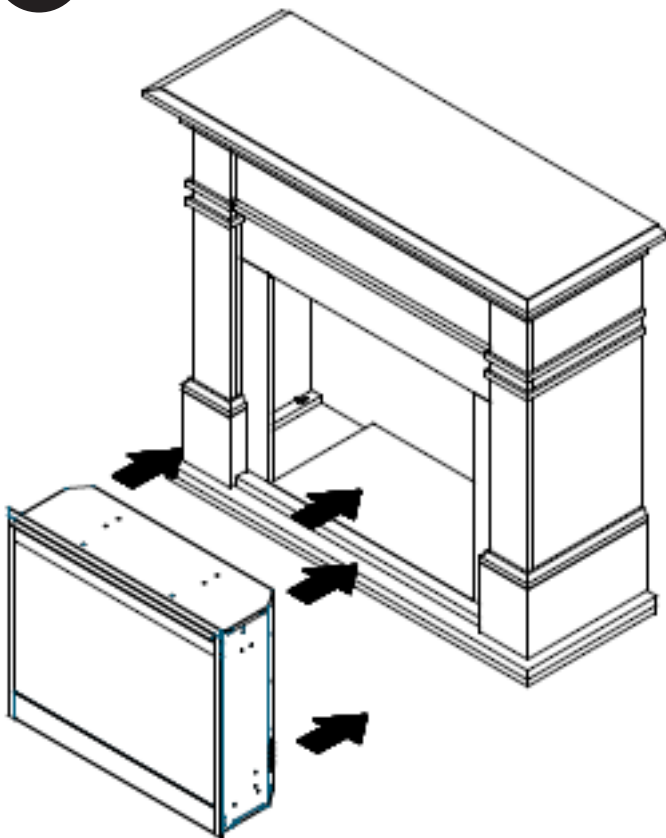
3



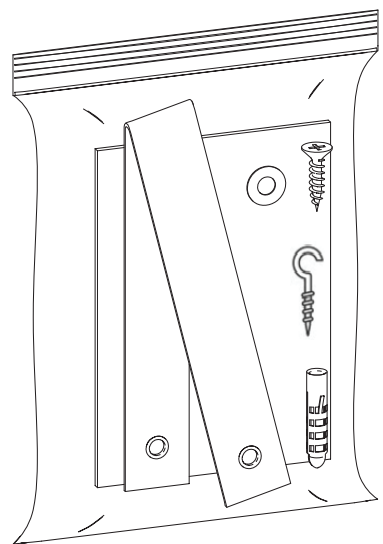
4



5



6



**Tipping Restraint-** See Step 6

**⚠ WARNING: FALLING OR TIPPING APPLIANCES CAN CAUSE INJURY OR DEATH OF YOUNG CHILDREN, PLEASE ENSURE CHILDREN DO NOT CLIMB, HANG OR STAND ON THIS PRODUCT.**

**⚠ WARNING: THE APPLIANCE IS PROVIDED WITH A TIPPING RESTRAINT, THIS RESTRAINT IS NOT A SUBSTITUTE FOR PROPER ADULT SUPERVISION. THIS RESTRAINT MAY PROVIDE PROTECTION AGAINST TIPPING FURNITURE. DO NOT ALLOW CHILDREN TO CLIMB ON FURNITURE. FAILURE TO DETACH THIS RESTRAINT BEFORE MOVING FURNITURE MAY RESULT IN INJURY AND DAMAGE.**

This product is provided with a 'Tipping Restraint Kit' as shown in step 6, to prevent the product accidentally tipping. Instructions are supplied with this kit please follow these instructions carefully. This accessory is intended to improve the safety of the the product.

### **RETAIN THIS MANUAL FOR FUTURE REFERENCE**

*Valued customer,*

*Thank you for selecting one of our Fireplace Surrounds to complement your Dimplex Electric Fireplace.*

*We are confident that your purchase will enhance the charm and comfort of your home for many years to come.*

NOTE: Your fireplace surround is constructed of the finest quality cabinet grade materials. However, because wood is natural, you may notice variations in grain consistency. This is normal and will add to the uniqueness of your fireplace surround.

**Warning:** The fireplace surround is not to be used for purposes other than a Dimplex electric fireplace insert.

### **WARRANTY**

Dimplex fireplace surrounds are tested and inspected prior to shipment and are guaranteed to the purchaser of each new product. Any part, which proves defective in material or workmanship under normal use within one year, will be replaced without charge. The Company will not be responsible for any expense incurred for installation, removal from service, or transportation costs. Any such defect should be brought to the attention of the Dealer where the product was purchased and is authorized to repair or replace within the terms of this warranty.

The Company's only obligation under this warranty will be its sole option to repair or replace any part proving defective or to refund the purchase price thereof.

The owner/user assumes all other risks, if any, including the risk of any direct, indirect, or consequential loss or damage arising out of use or inability to use, the product.

The warranty will not apply if, in the sole judgement of the Company, damage or failure has resulted from accident, alteration, misuse, abuse, incorrect installation, or use for purposes other than a Dimplex electric fireplace.

The foregoing is in lieu of all other warranties expressed, implied or statutory, and the company neither assumes, nor authorizes any person to assume for it any other obligation, or liability in connection with sold product.