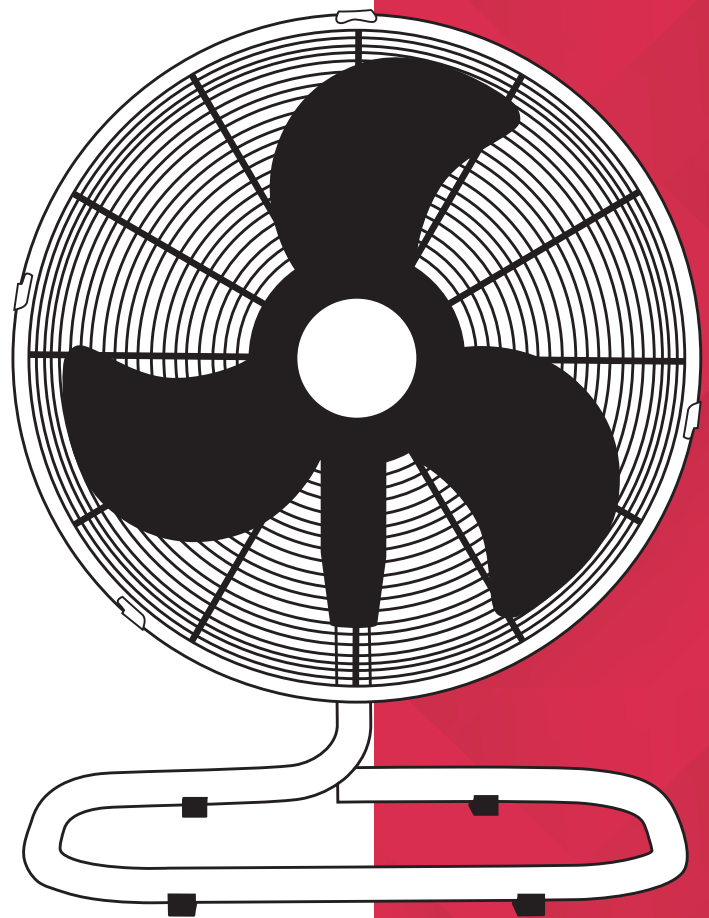




## INSTRUCTION MANUAL



### **50cm HV Floor Fan**

Model: DCFF50MBK

---

For domestic household use only.



## IMPORTANT

THESE INSTRUCTIONS SHOULD BE READ CAREFULLY AND RETAINED FOR FUTURE REFERENCE. **Note also the information presented on the appliance**

### **CAUTION: FAILURE TO FOLLOW THESE INSTRUCTIONS MAY CAUSE INJURY AND/OR DAMAGE AND MAY INVALIDATE YOUR WARRANTY**

Please read the operating instructions carefully before using your fan for the first time and keep them in a safe place.

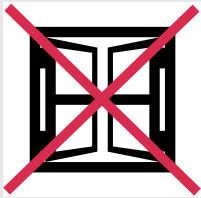
**WARNING** – This appliance must not be used in a bathroom.

**WARNING** – Do not use this appliance in the immediate surroundings of a bath, a shower or a swimming pool.

- Never immerse the appliance in water or other liquids.
- Operate this unit only on a firm, flat surface.
- Do not place on soft, unstable or non-horizontal/angled surfaces.
- Never operate the appliance if a cable or connector has been damaged, after appliance malfunction or if the appliance was dropped or is otherwise damaged.
- If the mains lead is damaged it must only be replaced by the manufacturers service agent or a similarly qualified person in order to avoid a hazard.
- Please ask a professional service agent to repair the product. Improper repair may cause danger to users.
- Disconnect the appliance from mains power whenever it is not in use, before relocating it, and before cleaning.
- Operate the appliance only at the voltage specified on the rating label.
- Only connect the unit to a properly installed and easily accessible socket so that you can quickly disconnect the plug if necessary.
- Do not connect this product to the mains using an extension lead.
- This fan is only intended for **INDOOR RESIDENTIAL** applications. This fan should not be used for commercial or industrial or leisure applications or in small enclosed spaces.
- Never use the mains lead as a carrying strap or pulling lead.
- To avoid a fire or electrocution hazard, **NEVER** put the cord near heat registers, radiator, stoves or heaters.
- **DO NOT** cover cord with carpeting, throw rugs, runners, or similar coverings.
- **DO NOT** route cord under furniture or appliances. Take care to position the cord away from traffic areas and where it will not be a tripping hazard.
- **DO NOT** use the unit near windows or where water collects. Rain and water collection may lead to a risk of fire or electric shock.
- Only operate this appliance with a minimum of 50cm clearance all around i.e. away from walls, furniture and overhanging objects such as curtains or a

shelf.

- This appliance is not intended for use by persons (including children) with reduced physical, sensory or mental capabilities, or lack of experience and knowledge, unless they have been given supervision or instruction concerning use of the appliance by a person responsible for their safety.
- Children should be supervised to ensure they do not play with the appliance.
- **WARNING:** To avoid danger of suffocation please remove all packaging materials particularly plastic and EPS and keep these away from vulnerable people, children and babies.
- **NEVER** drop or insert any object or fingers into any openings.
- Do not use the appliance in locations where paint, petrol or other flammable liquids are used or stored.
- If the supply cord is damaged, it must be replaced by the manufacturer, its service agent or similarly qualified persons in order to avoid a hazard.
- Do not use bug sprays or other flammable cleansers/vapour sprays on or around the unit.
- Always switch off the unit and take the plug out of the socket:
  - If you are not using the unit
  - Before you clean or carry out maintenance on the unit
  - If a fault occurs
  - In the event of an electrical storm.
- Avoid electromagnetic interference. Keep the unit at least 1 metre away from electrical appliances such as televisions & radios.



Exposed to the weather outdoors



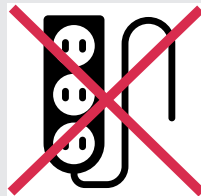
Near water



If the power cable wires are frayed or cut



Where small children may be left unattended



No extension leads or power boards



Where the power cable may be damaged



On a slope or uneven surface



Where there is risk of fire or close to a naked flame



Where it may be damaged by chemicals



Where there is a risk of interference by foreign objects



This product is not made for DIY repair



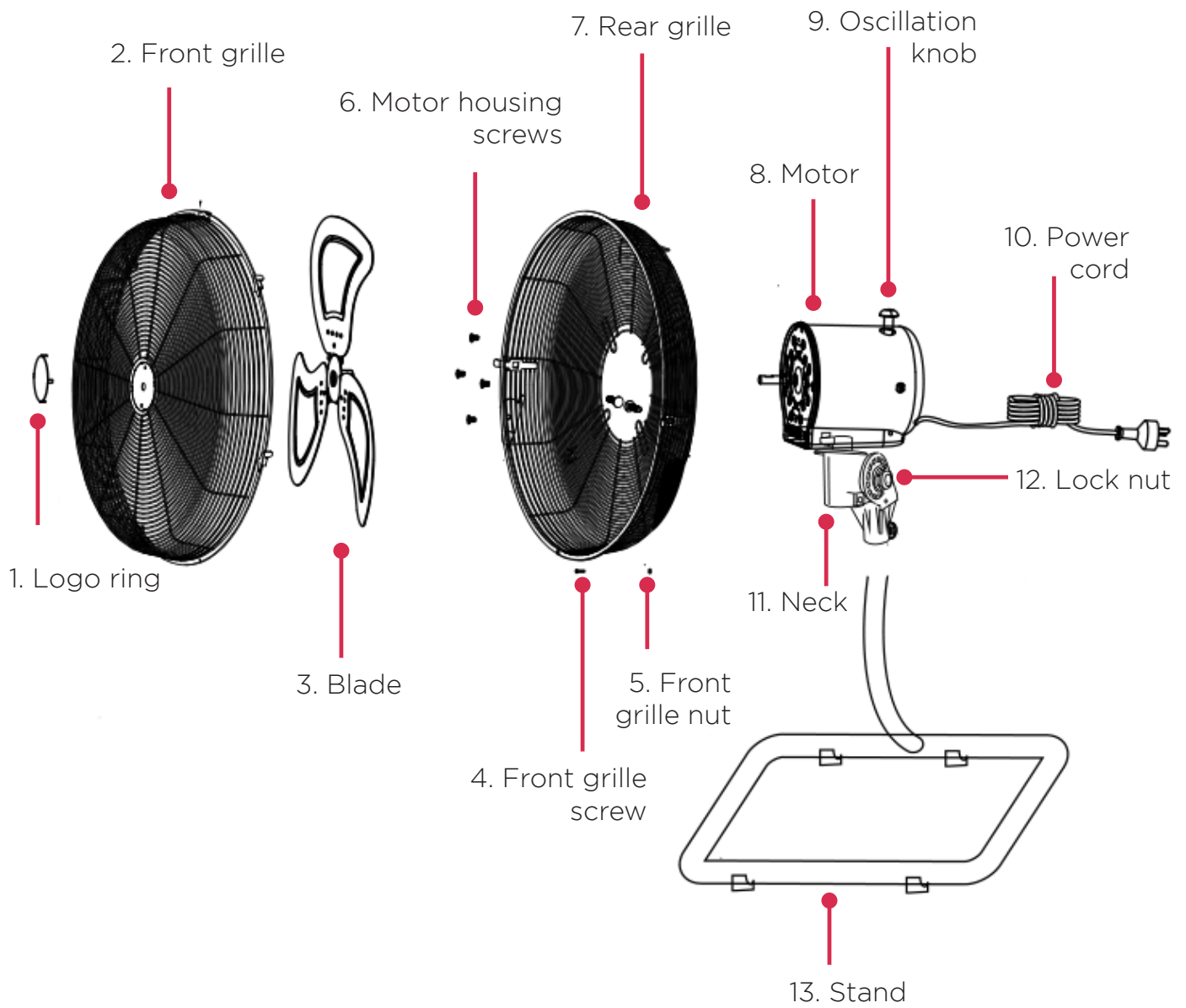
If there is a risk of water falling on the unit

## Specification

<b>Model no.</b>	<b>DCFF50MBK</b>
Colour	Matte Black
Power supply	220-240V~50-60Hz
Rated power	120W
Speed settings	3
Modes	-
Timer	-
Air volume	126m <sup>3</sup> /min
Adjustable height	-
Tilt adjustable head	Y
Horizontal oscillation	Y
Noise level	66dB(A)
Weight (net)	4.9kg
Dimensions (w x d x h)	550 x 290 x 625mm

- For greater precision, please always refer to the rating label placed on the product.

# Parts



This fan has been partially assembled to reduce wastage of packaging material, paper cartons and weight. To assemble the fan grilles, blades and base, please follow the instructions below:

1. Remove the protective sleeve (if any) from the motor shaft (8).
2. Remove the four rear guard retaining screws (6) from the motor housing (8).
3. Using a Phillips head screwdriver (not supplied), attach the rear grille (7) to the motor housing (8) using the four screws (6), you just removed.  
**Ensure the handle is at the top.**
4. Place the fan blade (3) over the motor shaft (8) so that the blade retaining screw on the fan blade shaft sits behind the blade. Tighten the screw securely against the flat part of the motor shaft (8).
5. Remove the front grille rim screw (4) and nut (5) from the front grille (2) and open the clips around the outside edge of the front grille (2), turning them outwards.
6. Hang the front grille (2) by its hook over the top of the rear grille (7), making sure the holes for the front grille rim screw (4) and nut (5) are aligned. Bring the front grille (2) down to meet the rear grille (7) and push the clips inwards until the front grille (2) is fastened to the rear grille (7). Finally fit the front grille rim screw (4) and nut (5) through the holes in the bottom edge of the guard and tighten with a small Phillips head screwdriver (not supplied).
7. Place the stand base (13) on the floor in front of you with the long part of the stand tube (13) at the front so that the end of the tube stand points to the back.
8. Take the fan head assembly (with the front towards you) and push the opening of the fan neck firmly onto the top of the stand base (13) as far as it will go.
9. Tighten the lock nut (12) to secure the parts together.

**CAUTION:** If you install the fan head assembly the wrong way onto the stand tube, the fan could turn over when tilting the fan head.

## Operation

1. Connect the plug to a power supply and switch on the power.
2. Switch the fan **ON** by rotating the speed switch knob at the rear in clockwise direction. This switch is also used to adjust the fan **SPEED**.
3. The airflow direction can be adjusted upward/downward by simply lifting the motor unit or rear guard **UP** or **DOWN**.

**NOTE:** Only adjust the fan head when the unit is **OFF**. Be careful not to insert your fingers through the guard.

4. Turn the speed control switch to your desired fan speed by selecting **HIGH** (III), **MEDIUM** (II) or **LOW** (I).
5. Oscillation - To activate the oscillation function, push down the oscillation knob (9). Pull the oscillation knob (9) up to stop oscillation at the desired direction of airflow.
6. Turn the dial to the (0) position to switch the fan **OFF**.

## Cleaning

Over time, dust can accumulate on the grille covers and fan blades, which can affect the fans performance. It is recommended to clean the fan at least once a month.

1. Turn the unit **OFF** and disconnect the appliance from the power supply.
2. Lightly run a vacuum cleaner nozzle (soft brush) over the front and rear grilles to remove any dust or dirt that may have accumulated inside or on the unit.
3. Remove any dust build up with a soft brush or cloth.
4. To remove stains from the blades, or for thorough cleaning before storage, open the clips at the edge of the grilles, remove the tiny screw and nut at the bottom of the grille edge and take off the grilles. Remove the blades cautiously for cleaning, taking care not to drop them, then refit. Make sure all grille clips are securely closed and the screw and nut tightened before reuse.

**Do NOT** use abrasive sponges, scouring pads, or a stiff brush to clean the unit.

### **IMPORTANT**

The control panel and other parts must not come into contact with water or any other liquids.



## Storage

If you do not use the unit for an extended period of time. After cleaning please:

- Turn the unit off, unplug and take care of the mains lead & plug.
- Cover the unit and store it upright in a location where it will not receive direct sunlight. **Note:** Prolonged exposure to direct sunlight will discolour the enclosure.

## Maintenance

If the unit fails to operate efficiently, is broken or other problems arise, unplug and do not operate. Ask for advice by calling your local after sales service agent or the Customer Care Centre on 1300 556 816 (AU) / 0800 666 2824 (NZ).

## Warranty

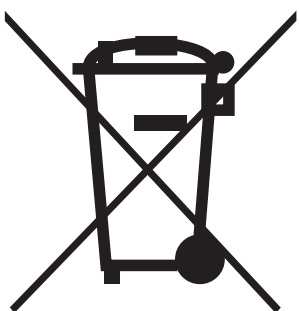
Please refer to the warranty card in the box for warranty information. For any troubleshooting advice, please contact the relative Customer Care Centre below.

### **Glen Dimplex Australia Pty Ltd**

8 Lakeview Drive,  
Scoresby 3179, Victoria  
Australia  
Ph: 1300 556 816

### **Glen Dimplex New Zealand Ltd**

38 Harris Road, East Tamaki,  
Auckland 2013  
New Zealand  
Ph: 0800 666 2824



*Recycling: Do not dispose of electrical appliances as unsorted municipal waste. Use separate collection facilities. Contact your local government for information regarding the collection systems available. If electrical appliances are disposed of in landfills or dumps, hazardous substances can leak into the ground water, polluting the food chain and damaging health and well-being.*



**Customer Care:** 1300 556 816  
customer.care@glendimplex.com.au  
www.dimplex.com.au

Supplied by Glen Dimplex Australia  
8 Lakeview Drive, Scoresby, Victoria, 3179

---

© Glen Dimplex Australia. All rights reserved. Material contained in this publication may not be reproduced in whole or in part, without prior permission in writing of Glen Dimplex Australia.

DCFF50MBK REV 3