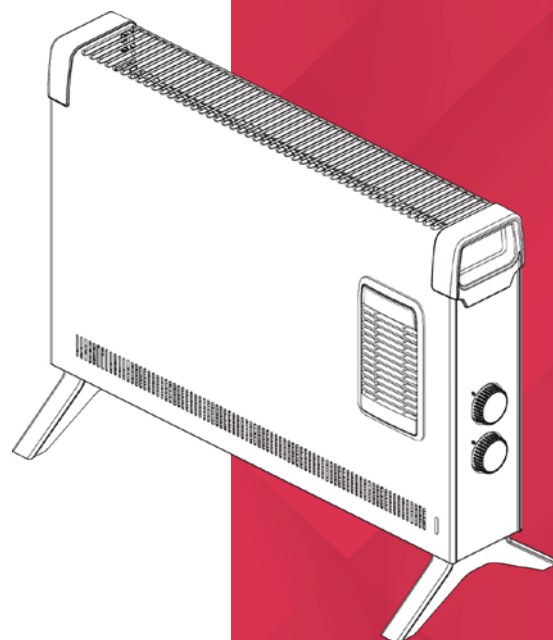
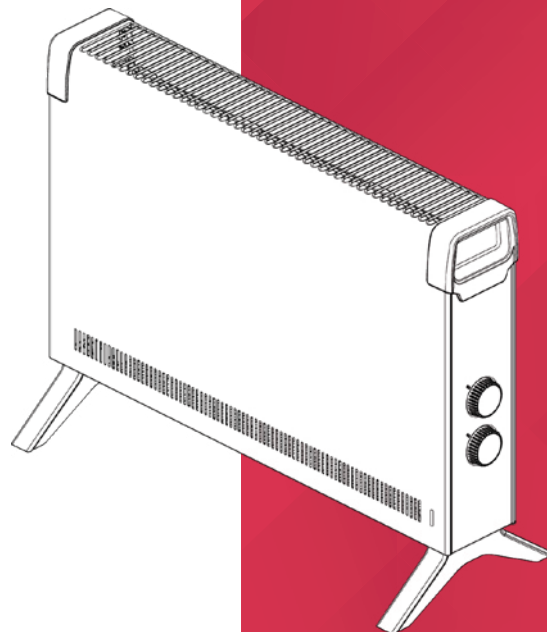




INSTRUCTION MANUAL



2kW Convector Heater Series

Models: ML2TA, ML2TSFA, ML2TS, ML2TSF

For domestic household use only.




IMPORTANT

THESE INSTRUCTIONS SHOULD BE READ CAREFULLY AND RETAINED FOR FUTURE REFERENCE.

Note also the information presented on the appliance

CAUTION: FAILURE TO FOLLOW THESE INSTRUCTIONS MAY CAUSE INJURY AND/OR DAMAGE AND MAY INVALIDATE YOUR WARRANTY

Please read the operating instructions carefully before using your product for the first time and keep them in a safe place.

- This appliance is not intended for use by persons (including children) with reduced physical, sensory or mental capabilities, or lack of experience and knowledge, unless they have been given supervision or instruction concerning use of the appliance by a person responsible for their safety.
- Children should be supervised to ensure that they do not play with the appliance.
- Cleaning and user maintenance shall not be made by children.
- **CAUTION:** Some parts of this product can become very hot and cause burns. Particular attention must be given where children and vulnerable people are present.
- **IMPORTANT:** Only use this heater on a horizontal and stable surface with the feet attached.
- **WARNING:** In order to avoid overheating, do not cover the heater.
-  The Heater carries this warning symbol indicating that it must not be covered.
- **DO NOT COVER** or obstruct the air inlet and outlet openings in any way.
- **DO NOT** use the heater in the immediate surroundings of a bath, a shower or a swimming pool.
- **DO NOT** use this heater if it has been dropped.
- **DO NOT** use if there are visible signs of damage to the heater.
- **DO NOT** place the heater directly below a fixed socket outlet.
- The socket-outlet used to plug in the heater must be accessible at all times to enable the mains plug to be disconnected as quickly as possible if required.
- **DO NOT** operate the heater with the mains lead overhanging the outlet grille.
- **WARNING:** In order to avoid a hazard due to inadvertent resetting of the thermal cut-out, this appliance must not be supplied through an external switching device, such as a timer, or connected to a circuit that is regularly switched on and off by the utility.
- **WARNING:** Risk of fire – Do not use this appliance connected through an

extension lead or any external switching device such as a plug-in timer or remote control plug in adaptor. All heating appliances draw high current through the mains supply and any weakness in the design, connections or components in these devices can easily result in overheating of the connection points resulting in melting, distortion and even the risk of fire.

- **DO NOT** pull, lift, carry or move the appliance using the mains lead.
- **IMPORTANT:** If the mains lead of this appliance is damaged, it must be replaced by the manufacturer or its service agent or a similarly qualified person in order to avoid a hazard.
- In the event of a fault, unplug the appliance.
- Unplug the appliance when not required for long periods.
- This product is intended for **INDOOR RESIDENTIAL** applications only.
- **DO NOT** cover cord with carpeting, throw rugs, runners, or similar coverings.
- **DO NOT** route cord under furniture or appliances. Take care to position the cord away from traffic areas and where it will not be a tripping hazard.
- **WARNING:** To avoid the risk of accidental strangulation from the supply cord all children and vulnerable people must be supervised when in the vicinity of the product whether it is working or not.
- Although this appliance complies with safety standards, we do not recommend its use on use the heater on deep pile carpets or the long hair type of rugs, or less than 750mm away from any overhanging surface.
- **WARNING:** To reduce the risk of fire, keep textiles, curtains, soft or hard furnishings or any other flammable or heat sensitive material a minimum distance of 1m from the front air outlet of the heater.
- Keep combustible materials such as drapes and other furnishings clear from the front, sides and rear of the heater.
- Do not use heater to dry your laundry.
- **WARNING:** Do not use this heater in small rooms when they are occupied by persons not capable of leaving the room on their own, unless constant supervision is provided.
- **WARNING:** To avoid danger of suffocation please remove all packaging materials particularly plastic and EPS and keep these away from vulnerable people, children and babies.
- This instruction leaflet belongs to the appliance and must be kept in a safe place. If changing owners, the leaflet must be surrendered to the new owner.



Exposed to the weather outdoors



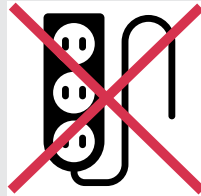
Near water



If the power cable wires are frayed or cut



Where small children may be left unattended



No extension leads or power boards



Where the power cable may be damaged



On a slope or uneven surface



Where there is risk of fire or close to a naked flame



Where it may be damaged by chemicals



Where there is a risk of interference by foreign objects



This product is not made for DIY repair



If there is a risk of water falling on the unit

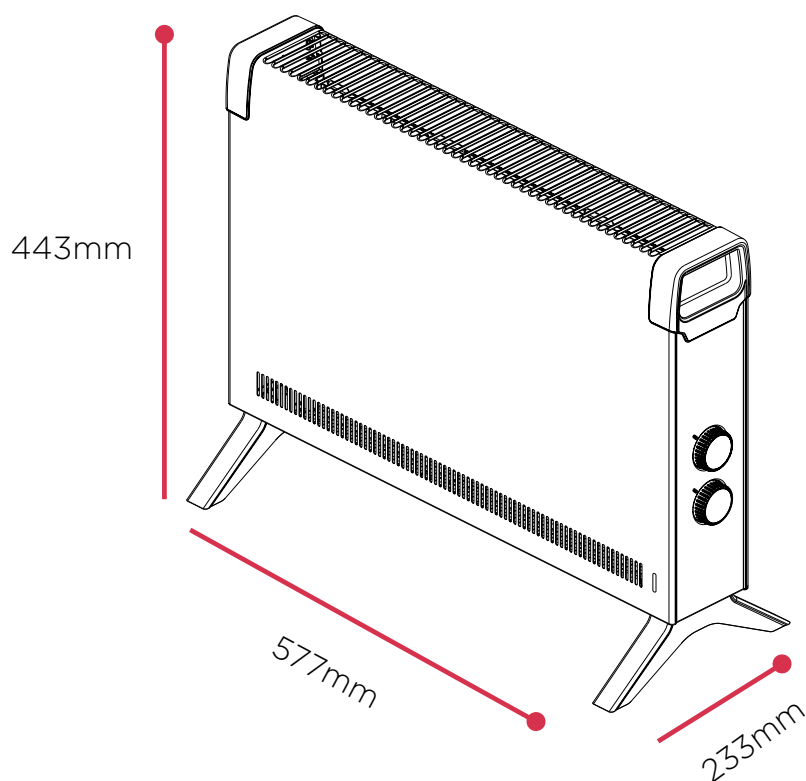
Specifications

Model no.	ML2TA & ML2TS	ML2TSFA & ML2TSF
Power supply	230-240V~, 50Hz	
Rated power	2000W	
Heat settings	2	
Thermostat	Y	
Turbo Fan	N	Y
Weight (net)	3.75kg	4.24kg
Dimensions (w x d x h)	577 x 233 x 443mm	

For greater precision, please always refer to the rating label placed on the product.

WARNING THIS APPLIANCE MUST BE EARTHED

Dimensions



Note: All 4 models have the same dimensions

WARNING: DO NOT USE THE HEATER UNTIL THE FEET ARE FITTED CORRECTLY.

WARNING: ALWAYS ENSURE THAT THE HEATER IS STOOD ON A FIRM LEVEL BASE NEAR TO, BUT NOT DIRECTLY UNDERNEATH A SUITABLE MAINS SUPPLY SOCKET.

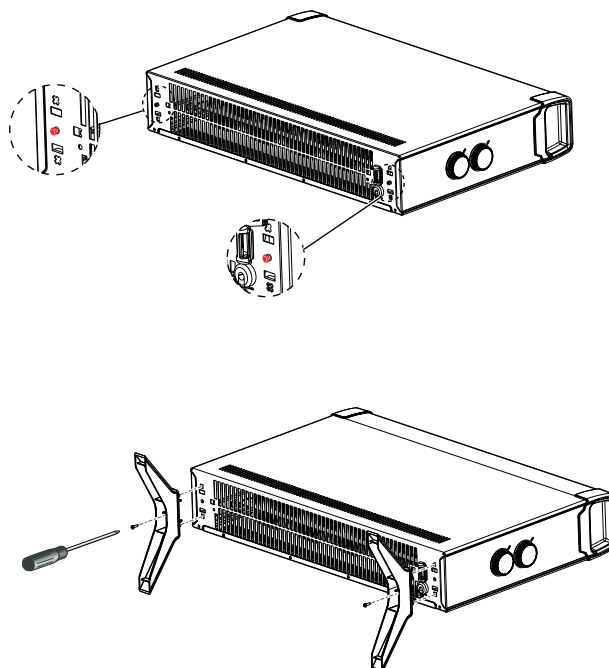
WARNING: ENSURE THAT CURTAINS AND FURNITURE ARE NOT POSITIONED CLOSE TO THE CHOSEN POSITION

WARNING: PLEASE ENSURE THE MINIMUM CLEARANCE DIMENSIONS ARE MAINTAINED

Note: These heaters are designed for operation on an AC electricity supply, and are suitable for use in domestic dwellings and similar indoor locations. These heaters are supplied with feet and handles for ease of movement. A mechanical rotary switch provides the ability to choose an available heat output and control the room temperature. These heaters are supplied with a cord and plug and are ready for use once the feet have been correctly fitted.

Note: The ML Convector Series can only be used as portable heaters.

1. To install the feet, lay the heater on its back and remove the two foot fixing screws.
2. Assemble the feet by pressing them firmly into the convector body. The feet should clip into position.
3. Secure the feet into the convector body with the two foot fixing screws. Return the heater upright, and the unit is now ready for use.



Thermostat

The thermostat controls the heat output according to the room temperature. This ensures that the heater will not produce heat unnecessarily when the room is warm.

1. To set the temperature you require, gradually turn the thermostat clockwise until your desired temperature is reached. Allow some time between increments for the room temperature to stabilise.
2. Alternatively to heat a cold room quickly, turn the thermostat to the max position. When the room has reached your desired temperature, turn the thermostat anti-clockwise until the thermostat clicks off. The heater will then automatically maintain this room temperature.
3. The thermostat also has a frost protection setting marked ❄️. This setting is useful in areas such as garages to prevent frost damage. If the thermostat is set to its minimum setting ❄️, the heater will cycle ON and OFF to maintain a temperature of approximately 5°C to help protect against frosty conditions.

Note: Should the heater fail to come on when the thermostat is at a low setting, this may be due to the room temperature being higher than the thermostat setting.

Heat

The heat output can be altered to suit the application, conditions and to improve the economy of operation. Switch the heat knob

Model	Switch Setting			
	0	I	II	❄️
ML2TA/ML2TS	Off	1200W	2000W	N/A
ML2TSFA/ML2TSF	Off	1200W	2000W	2000W

Indicator Neon Light

The indicator neon comes on when the appliance is connected to the mains supply.

Turbo Fan

Only the ML2TSFA and ML2TSF models contain a turbo fan. The turbo fan is used to boost the airflow around the room. This circulates the heat better and results in a reduced heat up time and a more even heat distribution. To use the turbo fan on selected models, turn the heat switch to ❄️ as per above.

Note: Although these units are manufactured to comply with the relevant safety standards, certain types of carpet could become discoloured by the temperatures under a portable heater. If you are concerned about this, we recommend that you contact the carpet manufacturer for guidance. Alternatively, stand the heater on a suitable base to shield the carpet.

You may notice some parts of the element appearing to be hotter from time to time because of the variable airflow through the heater. This does not cause a safety hazard.

The heat outlet grille may become discoloured with use - this is caused by airborne pollution and is not a fault.

Cleaning

Over time, dust can accumulate on the heater which can effect performance. It is recommended to clean the unit at least once a month.

1. Turn the unit **OFF** and disconnect the appliance from the power supply.
2. Remove any dust build up with a soft brush or vacuum cleaner with a soft brush attachment.
3. Wipe the outer surface of the unit with a soft damp cloth. Mild detergent can be used for any stubborn marks.

IMPORTANT

The controls and other parts must not come into contact with water or any other liquids.

Warranty

Please refer to the warranty card in the box for warranty information. For any troubleshooting advice, please contact the relative Customer Care Centre below.

Glen Dimplex Australia Pty Ltd

8 Lakeview Drive,
Scoresby 3179, Victoria
Australia
Ph: 1300 556 816

Glen Dimplex New Zealand Ltd

38 Harris Road, East Tamaki,
Auckland 2013
New Zealand
Ph: 0800 666 2824



Recycling: Do not dispose of electrical appliances as unsorted municipal waste. Use separate collection facilities. Contact your local government for information regarding the collection systems available. If electrical appliances are disposed of in landfills or dumps, hazardous substances can leak into the ground water, polluting the food chain and damaging health and well-being.



Customer Care: 1300 556 816
customer.care@glendimplex.com.au
www.dimplex.com.au

Supplied by Glen Dimplex Australia
8 Lakeview Drive, Scoresby, Victoria, 3179

© Glen Dimplex Australia. All rights reserved. Material contained in this publication may not be reproduced in whole or in part, without prior permission in writing of Glen Dimplex Australia.

ML Series v1