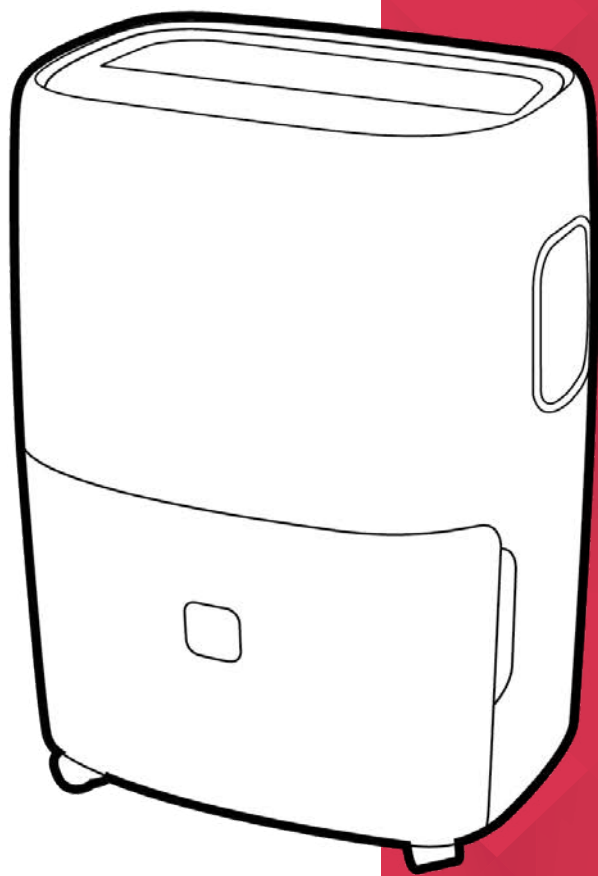




INSTRUCTION MANUAL



Dehumidifier

Models: GDDE25E, GDDE35E & GDDE50E

For domestic household use only.



IMPORTANT

THESE INSTRUCTIONS SHOULD BE READ CAREFULLY AND RETAINED FOR FUTURE REFERENCE. **Note also the information presented on the appliance**

CAUTION: FAILURE TO FOLLOW THESE INSTRUCTIONS MAY CAUSE INJURY AND/OR DAMAGE AND MAY INVALIDATE YOUR WARRANTY

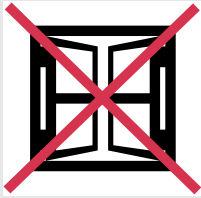
Please read the operating instructions carefully before using your dehumidifier for the first time and keep them in a safe place.

WARNING – This appliance must not be used in a bathroom.

WARNING – Do not use this appliance in the immediate surroundings of a bath, a shower or a swimming pool.

- Never immerse the appliance in water or other liquids.
- Operate this unit only on a firm, flat surface to avoid the risk of water leakage. Ensure that the unit is kept upright at all times (including during transport and storage). If it is overturned at any stage it should be left standing upright for 24 hours before use.
- Do not place on soft, unstable or non-horizontal/angled surfaces.
- Never operate the appliance if a cable or connector has been damaged, after appliance malfunction or if the appliance was dropped or is otherwise damaged.
- If the mains lead is damaged it must only be replaced by the manufacturers service agent or a similarly qualified person in order to avoid a hazard.
- Please ask a professional service agent to repair the product. Improper repair may cause danger to users.
- Disconnect the appliance from mains power whenever it is not in use, before relocating it, and before cleaning.
- Operate the appliance only at the voltage specified on the rating label.
- Only connect the unit to a properly installed and easily accessible socket so that you can quickly disconnect the plug if necessary.
- Do not connect this product to the mains using an extension lead.
- Do not connect the dehumidifier to a multiple socket outlet, which is also being used for other electrical appliances
- This dehumidifier is only intended for **INDOOR RESIDENTIAL** applications. This dehumidifier should not be used for commercial or industrial or leisure applications or in small enclosed spaces.
- Never use the mains lead as a carrying strap or pulling lead.
- To avoid a fire or electrocution hazard, **NEVER** put the cord near heat registers, radiator, stoves or heaters.
- **DO NOT** cover cord with carpeting, throw rugs, runners, or similar coverings.
- **DO NOT** route cord under furniture or appliances. Take care to position the cord away from traffic areas and where it will not be a tripping hazard.
- **DO NOT COVER.** Never cover or obstruct in any way the outlet at the top of the dehumidifier or the air inlet slots at the rear of the dehumidifier.
- Only operate this appliance with a minimum of 50cm clearance all around i.e. away from walls, furniture and overhanging objects such as curtains or a shelf.

- This appliance is not intended for use by persons (including children) with reduced physical, sensory or mental capabilities, or lack of experience and knowledge, unless they have been given supervision or instruction concerning use of the appliance by a person responsible for their safety.
- Children should be supervised to ensure they do not play with the appliance.
- To prevent spillage, empty the water tank before lifting or relocating the appliance.
- Do not tip the appliance to any side as escaping water could damage the appliance.
- **WARNING:** Never leave water in the reservoir when the appliance is not in use, microorganisms can grow in stagnant water, the water tank should be emptied and cleaned regularly and properly. Empty the tank, clean and dry it when not in use and before putting into storage.
- **CAUTION:** Clean and empty the water tank at least every third day. Empty the water tank and clean it with fresh tap water or mild detergent. Remove any scale, deposits, or film that has formed on the sides of the water tank or on interior surfaces using soft non-abrasive cleaning agents (such as washing up liquid), wipe all surfaces dry on completion.
- **WARNING** – The water collected in the tank is must never be used for drinking, it is not suitable for human, bird or animal consumption.
- Be aware that high humidity levels may encourage the growth of biological organisms in the environment.
- Monitor the area around the dehumidifier to ensure there is no damp or wet. Do not allow absorbent materials, such as carpeting, drapes, or tablecloths to become damp.
- Air inlet filter must be cleaned regularly to ensure correct operation and to avoid damage to the appliance.
- Never operate the product without the filter
- **WARNING:** To avoid danger of suffocation please remove all packaging materials particularly plastic and EPS and keep these away from vulnerable people, children and babies.
- **IMPORTANT:** Do not use this unit where the ambient temperature is lower than 5°C, otherwise the evaporating coil will ice up heavily and this will affect the performance of the product and potentially cause a malfunction.
- **NEVER** drop or insert any object into any openings.
- Do not use the appliance in locations where paint, petrol or other flammable liquids are used or stored.
- If the supply cord is damaged, it must be replaced by the manufacturer, its service agent or similarly qualified persons in order to avoid a hazard.
- Do not use bug sprays or other flammable cleansers/vapour sprays on or around the unit.
- Always switch off the unit and take the plug out of the socket:
 - If you are not using the unit
 - Before you clean or carry out maintenance on the unit
 - If a fault occurs
 - In the event of an electrical storm.



Exposed to the weather outdoors



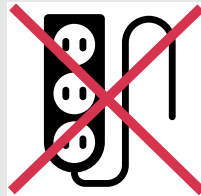
Near water



If the power cable wires are frayed or cut



Where small children may be left unattended



If an extension lead may become overloaded



Where the power cable may be damaged



On a slope or uneven surface



Where there is risk of fire or close to a naked flame



Where it may be damaged by chemicals



Where there is a risk of interference by foreign objects



This product is not made for DIY repair



If there is a risk of water falling on the unit

Specification

Model no.	Model GDDE25E	Model GDDE35E	Model GDDE50E
Power supply	220-240V~, 50Hz		
Dehumidification capacity at 32°C, 80% RH	25L/day	34L/day	60L/day
Recommended room size	12-30m ²	15-49m ²	24-60m ²
Air volume (max.)	190m ³ /h		330m ³ /h
Noise level	Reciprocating		
Refrigerant	R134a	R410A	
Working range	5 ~ 32°C		
Water tank	3.5L		6.5L
Size (WxDxH) mm	370 x 270 x 505		382 x 305 x 640
N.W. kg	14		20

- The data marked with * may vary for technical reasons. For greater precision, please refer to the rating label placed on the product.

Note. When the dehumidifier is in operation, the running compressor will produce heat, this is normal and may potentially raise the room temperature.

The operational temperature range for this unit is 5-32°C.

How It Works

This product is a dehumidifier. It controls relative humidity by passing the air through the unit, forcing the excess moisture to condensate over the cooling elements. Contact with this cold surface causes the moisture in the air to condense. This condensed water then drains safely into the water tank. The dried air then passes through the condenser where it is slightly warmed and re-enters the room at a slightly elevated temperature.

Where To Position

Excess moisture will travel throughout your home, in the same way that cooking smells waft to every room in the house. For this reason, the dehumidifier should be positioned, so that it can draw this moist air towards it from all over the home.

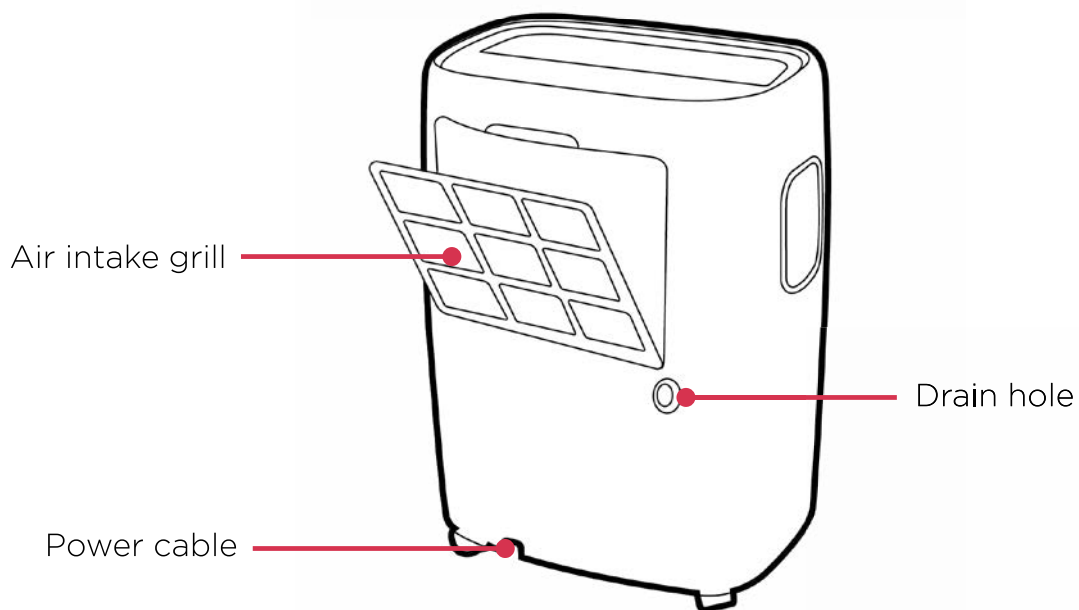
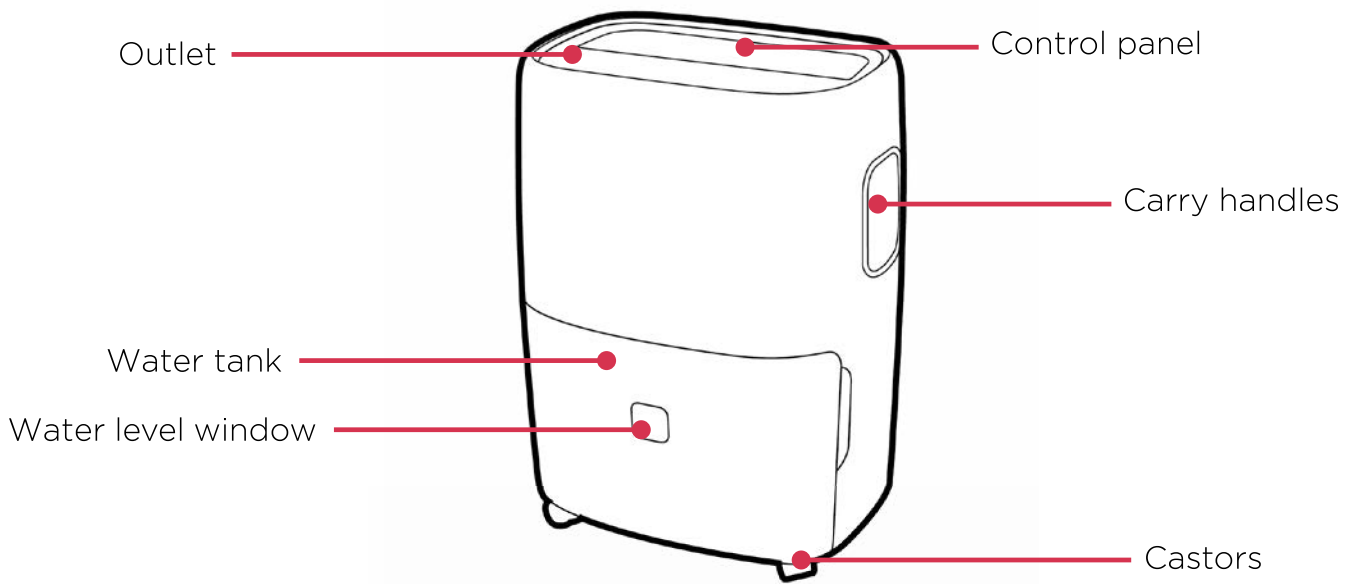
Alternatively, if you have a serious problem in one area you can begin by positioning the dehumidifier close to this area and later moving it to a more central point.

When positioning the dehumidifier, ensure that it is placed on a level surface and that there is a minimum of 45 cm of space on either side of the unit to allow for efficient airflow.

This dehumidifier is fitted with castors for extra mobility, if you move the unit, it should first be switched off and the water tank emptied. We do not recommend the use of an extension lead, so please try to ensure that the unit is sufficiently close to a fixed mains socket.

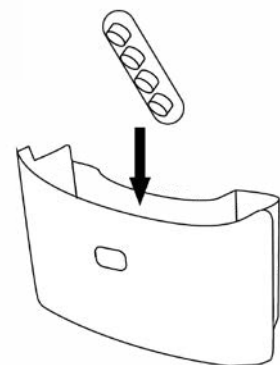
When the dehumidifier is in operation, outside doors and windows should be closed for most effective and efficient operation.

Parts

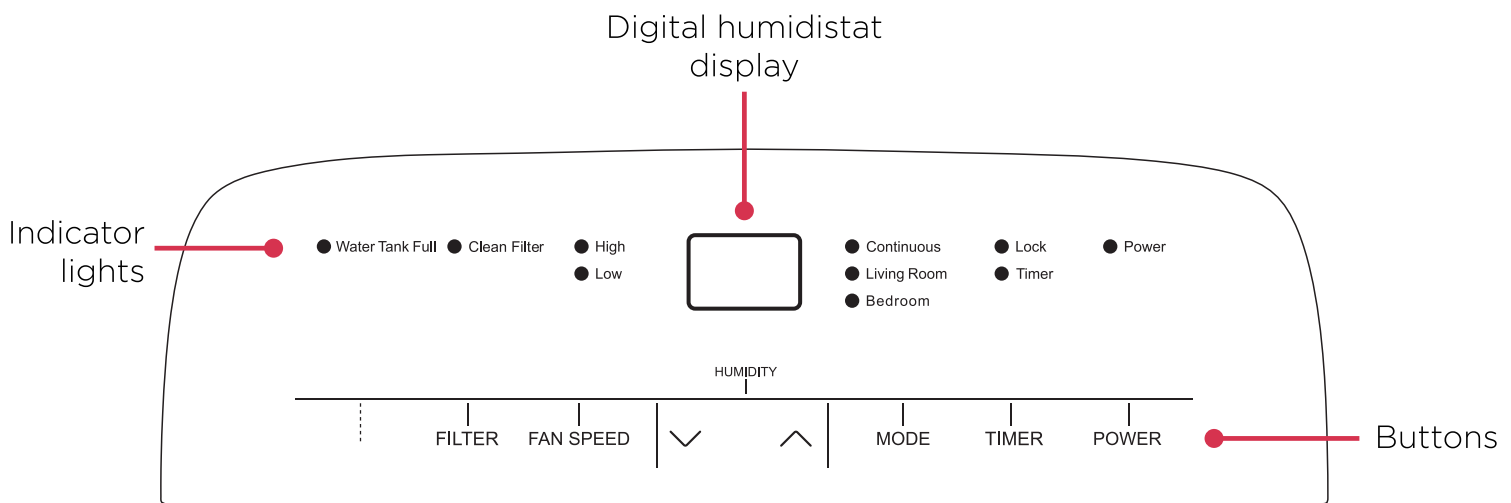


Installing The Castors

1. Remove castors from water tank.
2. Tilt the dehumidifier 45° and insert the four castors. Ensure the ring around the castor is flush against the bottom of the dehumidifier.



Control Panel



Operation

1. Plug the unit into a correct mains socket. (Please refer to the rating label at the rear of the unit for correct voltage/frequency.)
2. Please **NOTE:** Before first proper use, run the dehumidifier in continuous mode for 24 hours.
3. Press **POWER** button to turn on the unit. To turn off the unit, press **POWER** button again.
4. To select the desired relative humidity press the **UP/DOWN** arrow buttons. Each press will increase/decrease the desired room humidity by 5%. The room humidity can be set between 35-80% or continuous, and will show on the display. The unit will cycle on and off to maintain the selected humidity level.
5. Press the **FAN SPEED** button to select between High & Low speeds. The selected speed indicator light will turn on.
6. To program the unit to automatically turn on, press the **TIMER** button, while the unit is **OFF**. The timer can be set in 30 minute increments, up to 10 hours. After 10 hours, each press of the button will increase the time in 1 hour increments up to 24 hours
7. To program the unit to automatically turn off, press the **TIMER** button, while the unit is **ON**. The timer can be set in 30 minute increments, up to 10 hours. After 10 hours, each press of the button will increase the time in 1 hour increments up to 24 hours

Operation

- When the water tank is full, the “**Water Tank Full**” indicator will light on or alarm, and the compressor will stop for self-protection. The dehumidifier will not turn back on until the water tank has been emptied.
- When the filter needs cleaning, the “**Clean Filter**” indicator will light on (after 250 hours of use). Remove the filter from the back of the unit by using your thumbs to press down on the filter tabs, Clean the filter with warm soapy water. Dry thoroughly before replacing the filter. Once the filter is back in place, press the **FILTER** button.

CAUTION: Do not operate the dehumidifier without a filter. Do not clean filter in the dishwasher.

- To utilise one of the pre-set humidity settings, press the **MODE** button to choose from Continuous, Living Room or Bedroom.

Continuous	15% (runs continuously and displays “ CO ”)
Living Room	45% (target humidity)
Bedroom	55% (target humidity)

- The control panel can be locked by pressing the **TIMER** button for 3 seconds. The “**Child Lock**” indicator will light on once activated. To unlock the control panel, hold the **TIMER** button for 3 seconds.

NOTE: The FAN will continue to run, even when the compressor is off. This is normal and allows the unit to circulate air and operate more efficiently.

Automatic Defrost

When frost builds up on the evaporative coils, the compressor will cycle off and the fan will continue to run until the frost disappears.

When the coils are completely defrosted, the compressor or fan (depending on the model) will automatically restart and dehumidification will resume.

Drainage

While the water tank is full, the compressor will stop for self-protection and the **"water tank full"** indicator light will turn on.

To remove the water tank, pull it out squarely.

After emptying the water tank, replace the water tank carefully back into its original location. The tank must be properly in place in order for the **"water tank full"** light to go out and for your dehumidifier to start operating again.

Please note, if the water tank has not been positioned correctly, the "water tank full" indicator will stay on and the product will not operate.

CONTINUOUS DRAINAGE

When the dehumidifier is operated at very high humidity levels, the water tank will require more frequent emptying. In this situation, it may be more convenient to set the unit up for continuous drainage, this can be done as follows;

1. Place the dehumidifier on a level surface

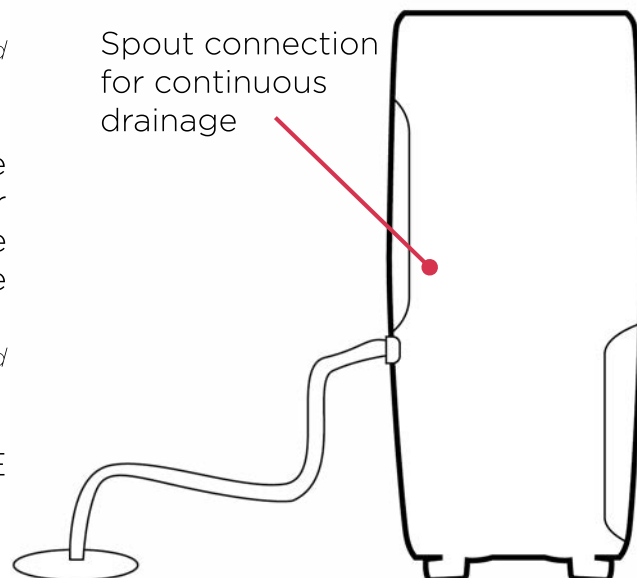
2. Unscrew the cap on the back of the unit to access the hose nozzle.

** Please note, the water tube is not supplied with the unit.*

3. Thread a garden hose onto the accessible nozzle, lead to a floor drain and cut to length. Make sure there are no kinks or knots in the garden hose.

** Please note, the water tube is not supplied with the unit.*

4. Turn the unit ON and press the MODE button and select CONTINUOUS.



IMPORTANT NOTES

Placing the dehumidifier on an uneven surface or improper hose installation may result in water filling up the water tank and causing the unit to shut off. Empty the water tank if auto-matic shut off occurs, then check the dehumidifier location and hose for proper set up. The bucket must be in place and securely positioned for the dehumidifier to operate.

Always unplug the unit from the mains before carrying out any maintenance or cleaning of the unit.

CLEANING THE BODY

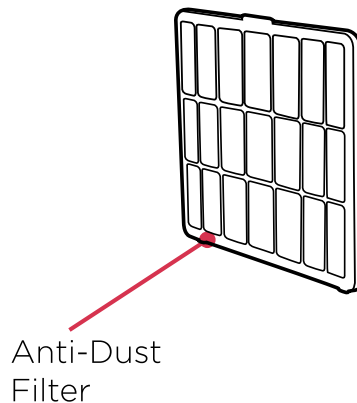
Use a soft damp cloth to wipe the unit clean.

Don't ever use volatile chemicals, gasoline, detergents, chemically treated clothes, or other cleansing solutions. These all could possibly damage the enclosure.

CLEANING THE FILTER

The plastic dust filter is washable and should be cleaned approximately every 2 weeks when in use (see instruction below).

1. When the filter needs cleaning, the "**Clean Filter**" indicator will light on (after 250 hours of use).
2. Remove the filter from the back of the unit by using your thumbs to press down on the filter tabs.
3. Tap excess dust off the filter.
4. Clean the filter with warm soapy water.
5. Allow to dry naturally and thoroughly before replacing the filter. Do not expose the filter to sunlight.
6. Replace the filter and press the **FILTER** button.



STORAGE

If not using the unit for an extended period of time. Please:

- Turn the unit off, unplug and take care of the mains lead & plug.
- Completely empty the water tank and clean it thoroughly and wipe it dry.
- Cover the unit and store it upright in a location where it will not receive direct sunlight.
NB- Prolonged exposure to direct sunlight will discolour the enclosure.

THE UNIT DOES NOT OPERATE:

- Is the unit plugged in?
- Is the house electricity on?
- Is the room temperature below 5°C or above 32°C? If so, then it is out of the working range of the unit.
- Ensure the ON/OFF switch is turned on.
- Check the water tank is located properly in the unit and it is not full.
- Make sure the air inlet and outlet are not obstructed.

THE UNIT SEEMS TO DO NOTHING:

- Is the filter dusty, contaminated?
- Is the air intake or outlet blocked?
- Is the room humidity already quite low?

THE UNIT SEEMS TO DO LITTLE:

- Are too many windows or doors open?
- Is there something in the room producing lots of humidity?

THE UNIT IS TOO NOISY:

- Check whether the unit is sitting on a level surface.

FROST APPEARS ON THE COILS:

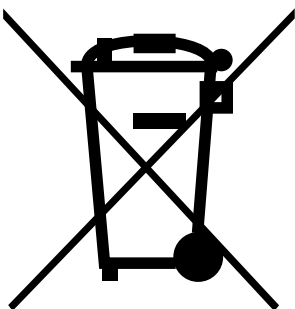
- The temperature is less than 5°C.

THE UNIT IS LEAKING:

- Make sure the unit is on a level surface and the water tank is fitted correctly
- Check that the water tank is not damaged.
- If using in continuous mode, check the hose is fitted correctly.

ERROR CODES:

- EH - Humidity sensor fault.
- E1 or E2 - Temperature sensor fault.
- E3 - Lack of gas to protect.



Recycling: Do not dispose of electrical appliances as unsorted municipal waste. Use separate collection facilities. Contact your local government for information regarding the collection systems available. If electrical appliances are disposed of in landfills or dumps, hazardous substances can leak into the ground water, polluting the food chain and damaging health and well-being.



Customer Care: 1300 556 816
customer care@glendimplex.com.au
www.dimplex.com.au

Supplied by Glen Dimplex Australia
1340 Ferntree Gully Road, Scoresby, Victoria, 3179

© Glen Dimplex Australia. All rights reserved. Material contained in this publication may not be reproduced in whole or in part, without prior permission in writing of Glen Dimplex Australia.