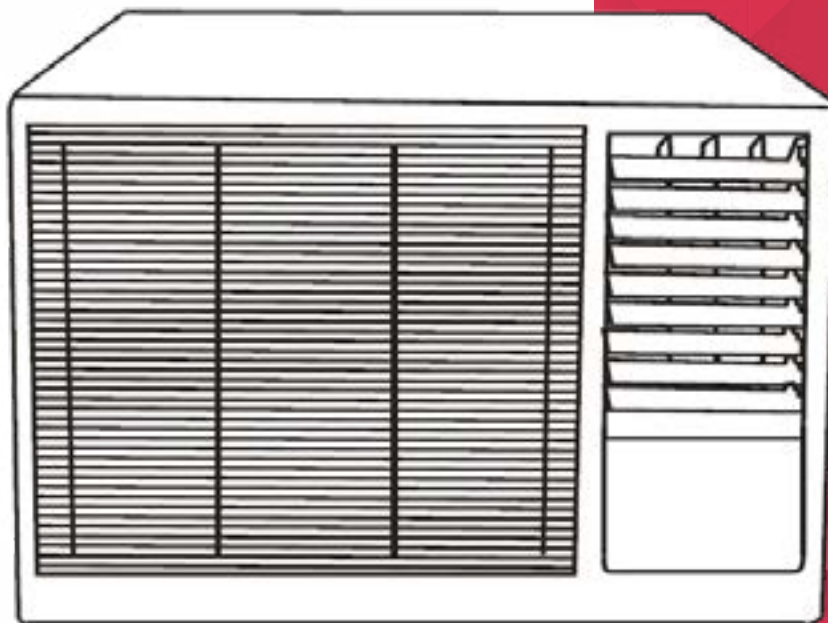




## INSTRUCTION MANUAL



### **Window/Wall Box Air Conditioner**

Cooling Only: DCB05C, DCB07C & DCB09C

Reverse Cycle: DCB07, DCB09 & DCB14

---

For domestic household use only.



## IMPORTANT

THESE INSTRUCTIONS SHOULD BE READ CAREFULLY AND RETAINED FOR FUTURE REFERENCE. **Note also the information presented on the appliance**

### CAUTION: FAILURE TO FOLLOW THESE INSTRUCTIONS MAY CAUSE INJURY AND/OR DAMAGE AND MAY INVALIDATE YOUR WARRANTY

Please read the operating instructions carefully before using your Air Conditioner for the first time and keep them in a safe place.

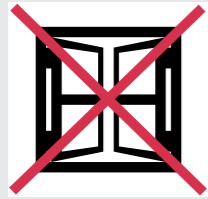
**WARNING** – This appliance must not be used in a bathroom.

**WARNING** – Do not use this appliance in the immediate surroundings of a bath, a shower or a swimming pool.

- If the mains lead is damaged it must only be replaced by the manufacturers service agent or a similarly qualified person in order to avoid a hazard.
- This appliance is not intended for use by persons (including children) with reduced physical, sensory or mental capabilities, or lack of experience and knowledge, unless they have been given supervision or instruction concerning use of the appliance by a person responsible for their safety.
- Children should be supervised to ensure they do not play with the appliance.
- Prior to cleaning or other maintenance, the appliance must be disconnected from the supply mains.
- Never immerse the appliance in water or other liquids.
- Operate this unit only on a firm, flat surface to avoid the risk of water leakage. Ensure that the unit is kept upright at all times.
- Do not place on soft, unstable or non-horizontal/angled surfaces.
- Never operate the appliance if a cable or connector has been damaged, after appliance malfunction or if the appliance was dropped or is otherwise damaged.
- Please ask a professional service agent to repair the product. Improper repair may cause danger to users.
- Disconnect the appliance from mains power whenever it is not in use, before relocating it, and before cleaning.
- Operate the appliance only at the voltage specified on the rating label.
- Only connect the unit to a properly installed and easily accessible socket so that you can quickly disconnect the plug if necessary.
- Do not connect this product to the mains using an extension lead.
- This product is only intended for **INDOOR RESIDENTIAL** applications. This product should not be used for commercial or industrial or leisure applications or in small enclosed spaces.
- Never use the mains lead as a carrying strap or pulling lead.
- To avoid a fire or electrocution hazard, **NEVER** put the cord near heat registers, radiator, stoves or heaters.
- Only operate this appliance with a minimum of 50cm clearance all around i.e. away from walls, furniture and overhanging objects such as curtains or a shelf.
- **WARNING:** To avoid danger of suffocation please remove all packaging materials particularly plastic and EPS and keep these away from vulnerable people, children

and babies.

- **NEVER** drop or insert any object or fingers into any openings.
- Do not cover or obstruct the air inlet and outlets.
- Do not use the appliance in locations where paint, petrol or other flammable liquids are used or stored.
- Do not use bug sprays or other flammable cleansers/vapour sprays on or around the unit.
- Always switch off the unit and take the plug out of the socket:
  - If you are not using the unit
  - Before you clean or carry out maintenance on the unit
  - If a fault occurs
  - In the event of an electrical storm.
- Avoid electromagnetic interference. Keep the unit at least 1 metre away from electrical appliances such as televisions & radios.
- The air conditioner must always be stored and transported upright. In case of doubt we suggest you wait for at least 24 hours before operation. (Please keep unit upright at all times).
- This appliance shall be installed in accordance with national wiring regulations.
- **DO NOT** use differing processes to accelerate the defrosting process or to clean, other than what has been recommended by the manufacturer.
- Note that the refrigerant may be odourless.
- **DO NOT** operate this product with wet hands or in a damp environment.
- **DO NOT** damage, use an unspecified power cord, modify power cord length or share the outlet with other appliances.
- **DO NOT** direct airflow at room occupants only. This also applies to pets and house-plants as it could be damaging to health.
- Disconnect the power if strange sounds, smell or some comes from the unit.
- Always install a circuit breaker and a dedicated power circuit.
- **DO NOT** open the unit during operation.
- **DO NOT** disassemble or modify the unit.
- Ventilate the room before operating the air conditioner, if there is a gas leakage from another appliance.
- Ventilate the room well when unit is used together with another product such as a stove, as this may cause an oxygen shortage.
- **DO NOT** use this unit for special purposes, such as preservation of precision devices, food etc.
- This unit is not to be installed in caravans, motor homes etc.
- When the air filter is to be removed, do not touch the metal parts of the unit.
- **DO NOT** clean the air conditioner with water. **NEVER** drink water drained from unit.
- Stop operation and close the window in the case of a storm.
- **DO NOT** hold the plug by the head of the power plug when taking it out, as this may cause electric shock.
- Turn off the main power switch when not using the device for an extended period of time.
- Never place obstacles around air-inlet or inside of air-outlet, as this could cause accidents.
- Ensure that the installation bracket of the appliance is not damaged.
- **DO NOT** place heavy objects on the power cord and ensure cord is not compressed.
- If water enters the unit, turn the unit off and disconnect the power. Contact a qualified technician.



Exposed to the weather outdoors



Near water



If the power cable wires are frayed or cut



Where small children may be left unattended



If an extension lead may become overloaded



Where the power cable may be damaged



On a slope or uneven surface



Where there is risk of fire or close to a naked flame



Where it may be damaged by chemicals



Where there is a risk of interference by foreign objects

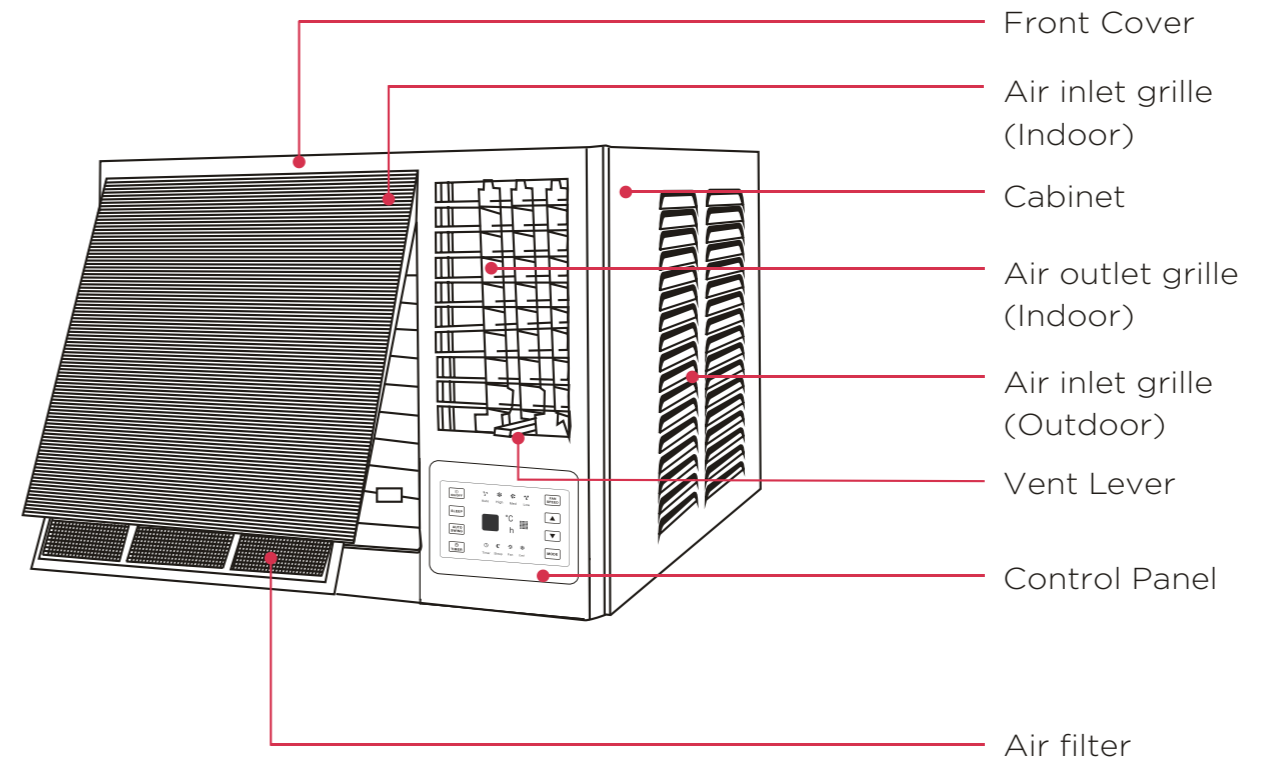


This product is not made for DIY repair

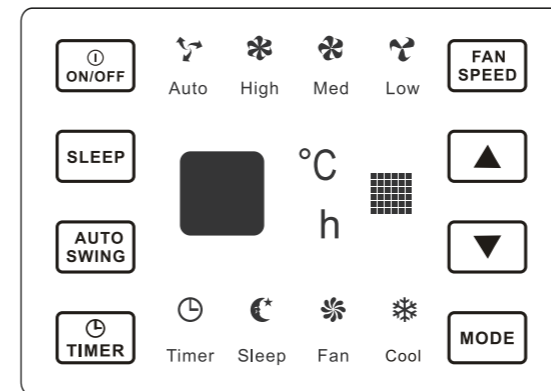


If there is a risk of water falling on the unit

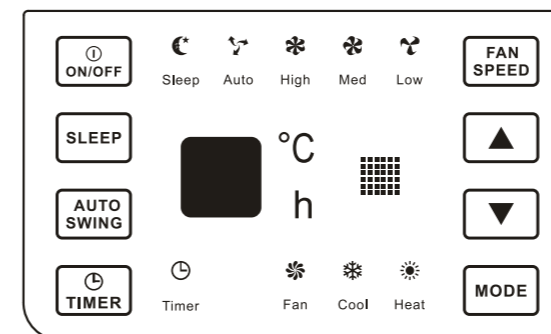
## Parts



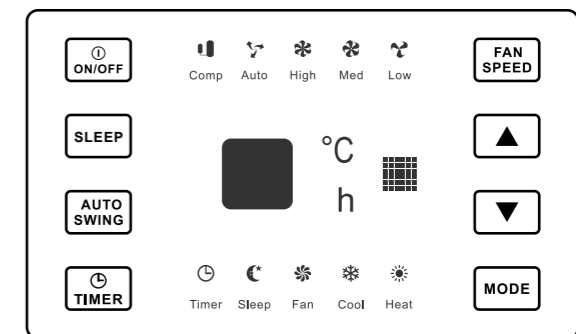
## Control Panel



DCB05C / DCB07C / DCB09C






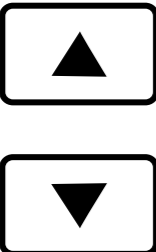



DCB07 / DCB09










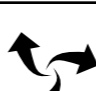



DCB14

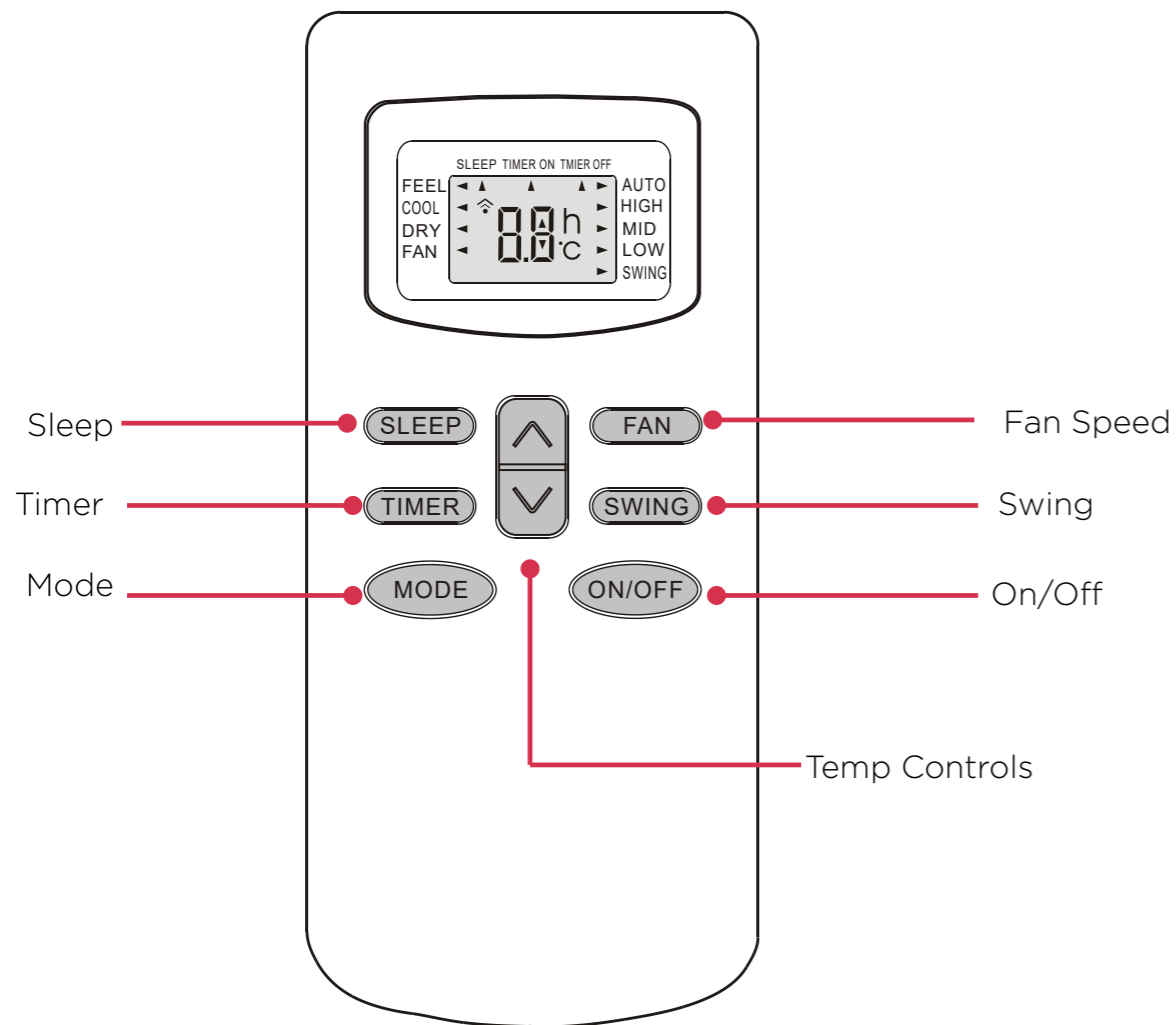
## Operating Instructions - Control Panel

| Button  | Function   |
|---|--|
|    | <ul style="list-style-type: none"> <li>Used to adjust airflow direction</li> </ul>   |
|    | <ul style="list-style-type: none"> <li>Used to set or cancel timer operation.</li> <li>When the unit is in operation, you can set the OFF TIMER. When the unit is off, you can set ON TIMER. Timer setting range is 0 to 24 hours.</li> <li>If the OFF TIMER is set, the timer LED displays the remaining time to turn off the unit for only 10 seconds, then LED shifts to display set temperature.</li> <li>If you press TIMER button within 10 seconds, OFF TIMER will be cancelled.</li> <li>If the ON TIMER is set, the timer LED displays the remaining time to turn on the unit. If you want to cancel the ON TIMER, press the TIMER button.</li> </ul> |
|  | <ul style="list-style-type: none"> <li>Everytime you press this button, the air conditioner will be started when it is engerised or will be stopped when it is in operation.</li> </ul>  |
|  | <ul style="list-style-type: none"> <li>Everytime you press this button, the operation mode is changed in sequence: COOLING - FAN ONLY - HEATING - COOLING</li> </ul>   |
|  | <ul style="list-style-type: none"> <li>Used to select fan speed in sequence auto. high, mid and low.</li> </ul>  |
|  | <ul style="list-style-type: none"> <li>This button is used to set room temperature mode or used to set time in TIMER mode. If the two keys are pressed at the same time for more than 3 seconds, the temperature LED display will alternate between celcius and farenheit.</li> <li>NOTE: Temperature setting range is from 61 degrees farenheit (16 degrees celcius) to 88 degrees farenheit (31 degrees celcius)</li> </ul>  |
|  | <ul style="list-style-type: none"> <li>Used to activate the 'SLEEP' function.</li> </ul>   |

## Operating Instructions - LED Indication Symbols

| Button  | Function                           |
|---|------------------------------------|
|    | Timer                              |
|    | Cooling                            |
|    | Heating                            |
|    | Fan Only                           |
|   | Sleep                              |
|  | Display Set Temp/Display Set Timer |
|  | Low Fan Speed                      |
|  | Mid Fan Speed                      |
|  | High Fan Speed                     |
|  | Auto Fan Speed                     |
|  | Compressor Running                 |

## Remote Control



### USING THE REMOTE CONTROL

1. Open the battery cover of the remote control, and insert 2 x AAA batteries.
2. Please point at the receiver and be within 8m when using the remote control.
3. If the battery voltage is low, please open the battery cover as per the diagram and replace with new batteries ( 2 x AAA). Then replace the battery cover.

## Electrical Specifications

1. All wiring must comply with local and national electrical codes and must be installed by a qualified electrician. If you have any questions regarding the following instructions, contact a qualified electrician.
2. Check available power supply and resolve any wiring problems BEFORE installing and operating this unit.
3. For your safety and protection, this unit must be grounded through the power cord when plugged into a matching wall outlet. If you are not sure whether your wall outlet is properly grounded, please contact a qualified electrician.
4. The rating plate on the unit contains electrical and other technical data. The rating plate is located on the right side of the unit. Make sure to use the correct power supply according to the rating plate of your air conditioner.
5. Wiring diagrams are located to the right.

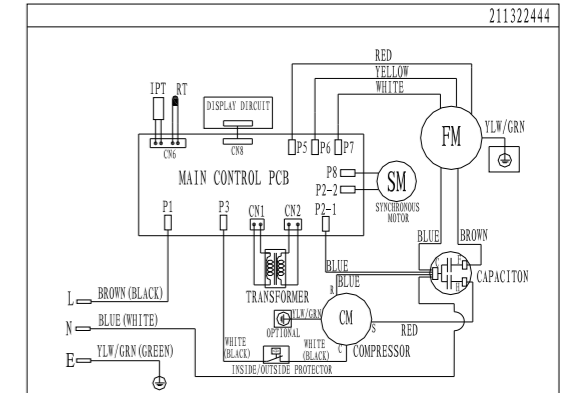
### Electric Shock Hazard

- The air conditioner has a serial rating volt. It must have its own fuse or circuit breaker, and no other device or unit should be operated on the fuse or circuit breaker.
- To avoid the possibility of personal injury, disconnect power to the unit before installing or servicing.

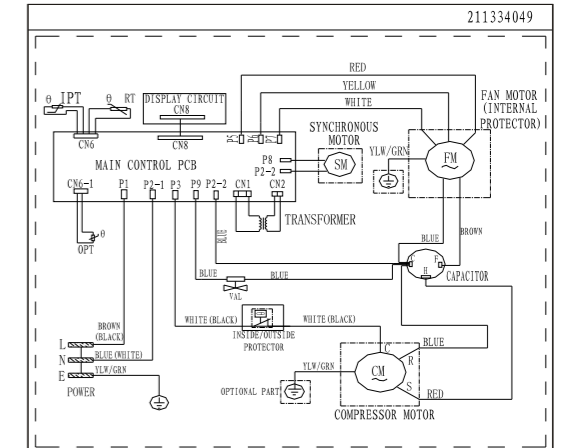
### CAUTION

- If the supply cord is damaged, it must be replaced by the manufacturer, its service agent or similarly qualified persons in order to avoid a hazard.

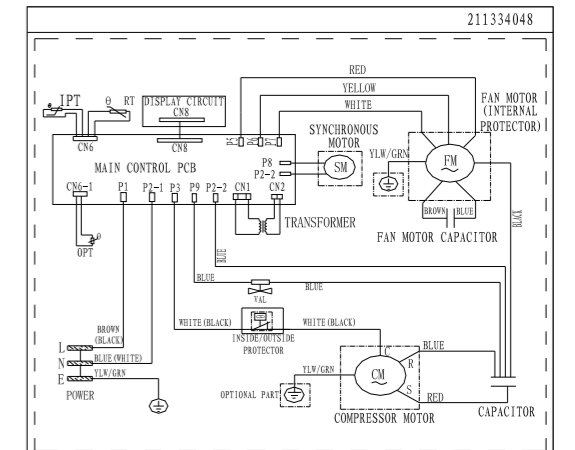
DCB05C / DCB07C / DCB09C



DCB07 / DCB09



DCB14



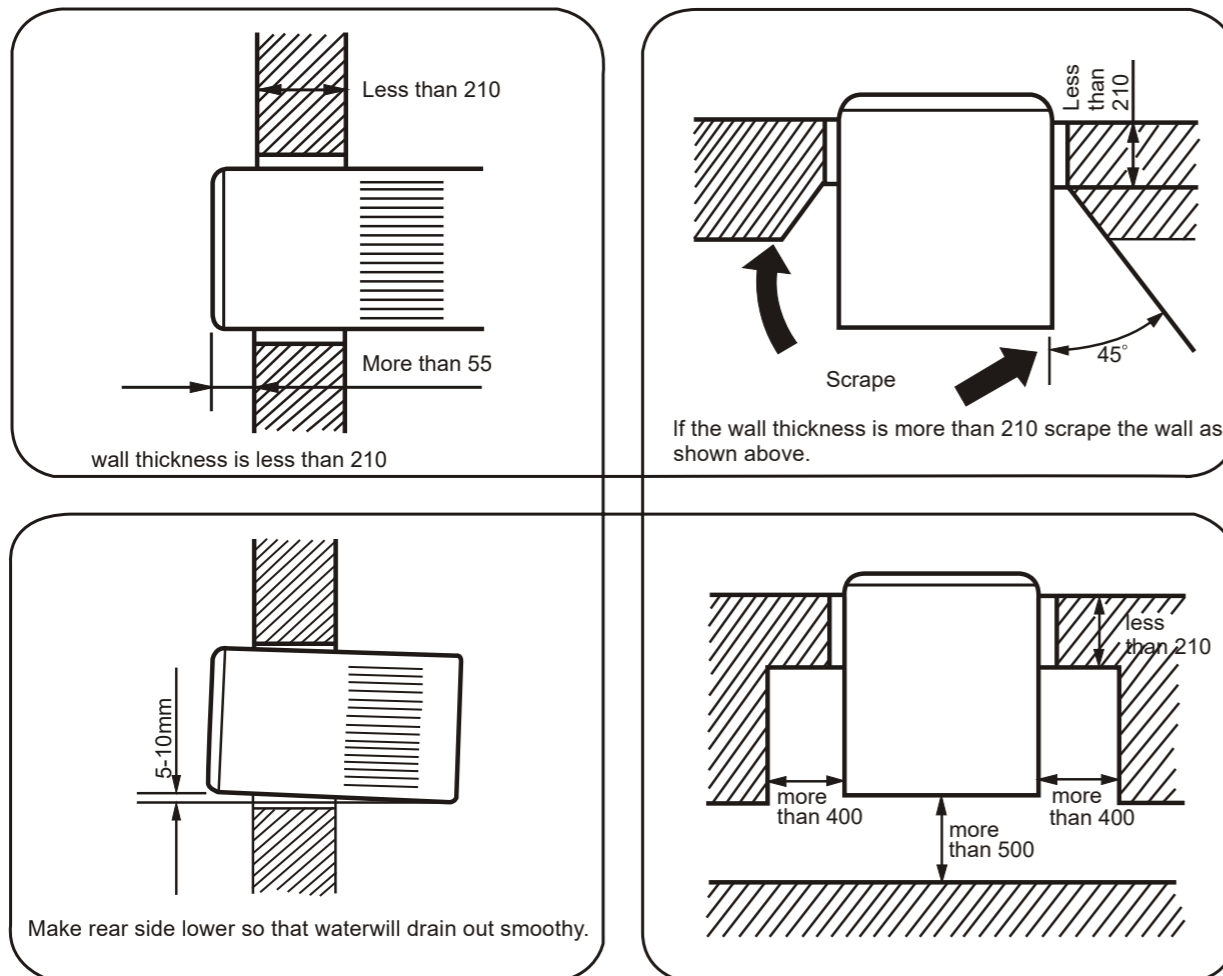
| RECEPTACLE AND FUSE TYPES |        |        |        |
|---------------------------|--------|--------|--------|
|                           | DCB05C | DCB07C | DCB09C |
| RATED VOLTS               | 250V   | 250V   | 250V   |
| AMPS                      | 7.1A   | 7.1A   | 7.1A   |

| RECEPTACLE AND FUSE TYPES |       |       |       |
|---------------------------|-------|-------|-------|
|                           | DCB07 | DCB09 | DCB14 |
| RATED VOLTS               | 250V  | 250V  | 250V  |
| AMPS                      | 7.1A  | 7.1A  | 8.5A  |

## REMOVE ALL THE SHIPPING PARTS BEFORE INSTALLATION

### LOCATION

- Select a location that can support the weight of the air conditioner and one that will not cause increased operation noise and vibration.
- Direct sunlight is not favourable for efficient cooling.
- Select a place where there is limited obstacles near the air inlet and outlet.



### CAUTION

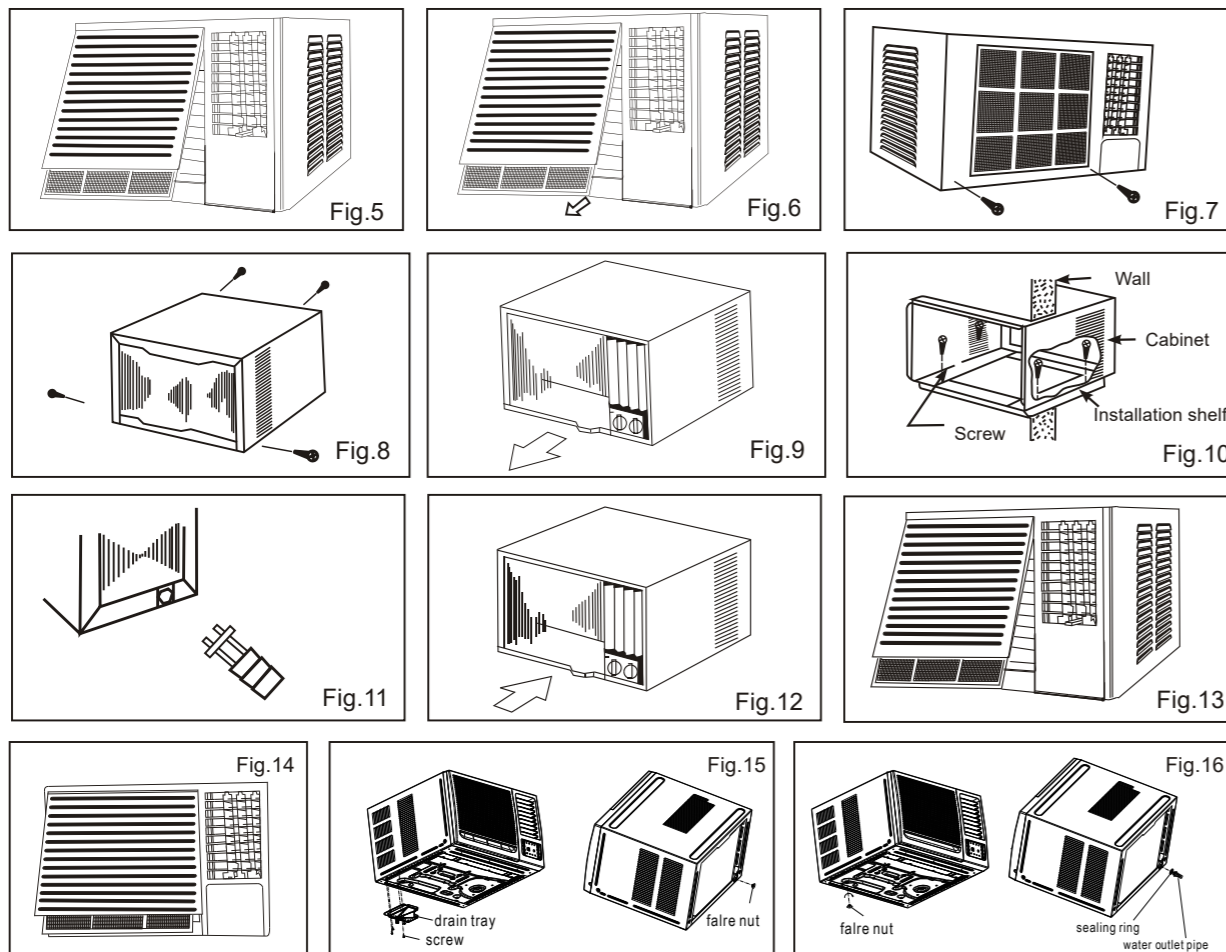
- Do not install air conditioner in a place where flammable gas leaks are a possibility.
- The minimum clearance from the appliance to combustible surfaces is 100mm; (Only for electric heating)
- The range of external static pressures at which the appliance was tested is 0-5Pa.
- Before installation, turn off the operation switch and disconnect the power cord.
- This appliance is not intended for use by individuals (including children) with reduced physical, sensory or mental capabilities, or a lack of experience or knowledge, unless there is supervision or instruction concerning use of the appliance from a person responsible for their safety.
- The appliance is fitted with means for disconnection. The supply mains have a contact separation in all poles that provide full disconnection for voltage category III conditions, and this means it must be incorporated in the fixed wiring in accordance with the wiring rules.

### OPERATION

- Check the capacity of wiring and power outlet. The power outlet should be used exclusively for this air conditioner. Do not use it with other appliances.
- Ground the air conditioner to prevent the danger of electric shocks.
- Connect the air conditioner with its' power source securely.
- Use a fuse as above.

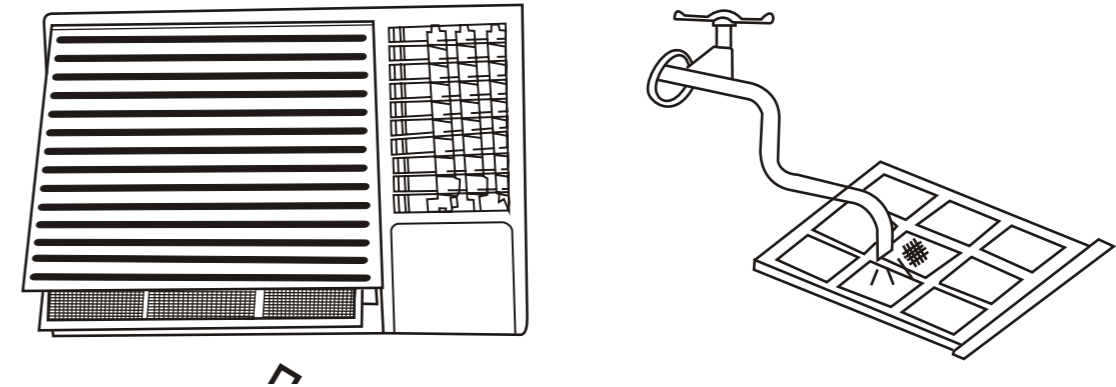
## INSTALLATION INSTRUCTIONS

1. Remove the front panel. (Fig.5)
2. Remove the air filter. (Fig.6)
3. Remove screws at the bottom of the front panel. (Fig.7)
4. Open the panel cover.
5. Remove the screws that fix the chassis-fixing board and cabinet. Some models have two more screws on the back of the cabinet. (Fig.8)
6. Grasp the handle on the front of the chassis and carefully slide the air conditioner unit out of the cabinet. (Fig.9)
7. Install the drain tube connection into the hole provided at the rear of the air conditioner chassis. (Fig.11) To meet different requirements of different types of air conditioner, there are two methods of choice to treat the condensed water: Bottom drainage or back drainage. For bottom drainage, the drain tray is fixed in position through four pcs of screws and use the flare nut to block the back drainage hole. (Fig.15) For Back drainage, use the flare nut to block the bottom drainage hole and use the water outlet pipe to connect the back drainage hole. Increase the sealing ring to prevent water leakage. (Fig.16)
8. Install the air conditioner cabinet on the installation shelf (not included) with screws. (Fig.10)
9. Carefully slide the unit back into the cabinet. (Fig.12)
10. Reinstall the retaining bracket, front panel and mounting screws. (Fig.7,8,13)
11. Reinstall the air filter. (Fig.14)



## AIR FILTER

- The air filter should be washed at least once a month. If the air filter remains full of dust, the air flow will decrease and the cooling capacity will be reduced.
- The filter is behind the cover and to be pulled out from the right hand side.
- Wash the air filter with water and detergent.
- Rinse with clean water and dry completely before reinstalling.



## CAUTION

- Do not use hot water above 40 degrees Celsius for washing the air filter.
- Let the filter dry thoroughly in the shade before reinstalling. Do not expose it directly to the sun.
- Do not operate the air conditioner with the filter removed.
- The ambient temperature for cooling is 18-43 degrees Celsius. The ambient temperature for heating is -5-20 degrees Celsius.

## AIR CLEANING FILTER

- The air cleaning filter is attached to the air filter. Wash the air cleaning filter as well when washing the air filter.

## FRONT COVER

- The front cover will accumulate dirt and dust. To clean it, wipe it with a soft dry cloth. When it is excessively dirty, wipe it with a soft cloth dampened with warm water or mild soap, then wipe it again thoroughly with a soft dry cloth.

## Storage Maintenance

### Storage

If not using the unit for an extended period of time, after cleaning please:

- Turn the unit off, unplug and take care of the mains lead & plug.
- Drain the unit's water collection tray according to the instructions.
- Run the appliance on FAN mode for 12 hours in a warm room to dry it and prevent mould.
- Clean the air filter as described in the previous section.
- Remove batteries from the remote control.
- Cover the unit and store it upright in a location where it will not receive direct sunlight. Prolonged exposure to direct sunlight will discolour the enclosure.

If the unit fails to operate efficiently, is broken or other problems arise, unplug and do not operate. Ask for advice by calling your local after sales service agent or the Customer Care Centre on 1300 556 816 (AU) / 0800 666 2824 (NZ).

## Warranty

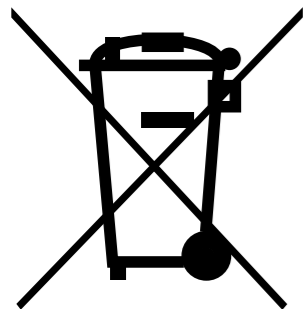
Please refer to the warranty card in the box for warranty information. For any troubleshooting advice, please contact the relative Customer Care Centre below.

### **Glen Dimplex Australia Pty Ltd**

8 Lakeview Drive,  
Scoresby 3179, Victoria  
Australia  
Ph: 1300 556 816

### **Glen Dimplex New Zealand Ltd**

38 Harris Road, East Tamaki,  
Auckland 2013  
New Zealand  
Ph: 0800 666 2824



Recycling: Do not dispose of electrical appliances as unsorted municipal waste. Use separate collection facilities. Contact your local government for information regarding the collection systems available. If electrical appliances are disposed of in landfills or dumps, hazardous substances can leak into the ground water, polluting the food chain and damaging health and well-being.





**Customer Care:** 1300 556 816  
customer.care@glendimplex.com.au  
www.dimplex.com.au

Supplied by Glen Dimplex Australia  
8 Lakeview Drive, Scoresby, Victoria, 3179

---

© Glen Dimplex Australia. All rights reserved. Material contained in this publication may not be reproduced in whole or in part, without prior permission in writing of Glen Dimplex Australia.

DCB Rev 1