

117cm Digital Tower Fan with Night Light

Model: DCTF117NL

For domestic household use only.



IMPORTANT

THESE INSTRUCTIONS SHOULD BE READ CAREFULLY AND RETAINED FOR FUTURE REFERENCE.

Note also the information presented on the appliance

CAUTION: FAILURE TO FOLLOW THESE INSTRUCTIONS MAY CAUSE INJURY AND/OR DAMAGE AND MAY INVALIDATE YOUR WARRANTY

Please read the operating instructions carefully before using your fan for the first time and keep them in a safe place.

WARNING – This appliance must not be used in a bathroom.

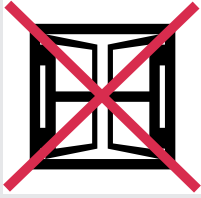
WARNING – Do not use this appliance in the immediate surroundings of a bath, a shower or a swimming pool.

- If the mains lead is damaged it must only be replaced by the manufacturer's service agent or a similarly qualified person in order to avoid a hazard.
- This appliance is not intended for use by persons (including children) with reduced physical, sensory or mental capabilities, or lack of experience and knowledge, unless they have been given supervision or instruction concerning use of the appliance by a person responsible for their safety.
- Children should be supervised to ensure they do not play with the appliance.
- Never immerse the appliance in water or other liquids.
- Operate this unit only on a firm, flat surface.
- Do not place on soft, unstable or non-horizontal/angled surfaces.
- Never operate the appliance if a cable or connector has been damaged, after appliance malfunction or if the appliance was dropped or is otherwise damaged.
- Please ask a professional service agent to repair the product. Improper repair may cause danger to users.
- Disconnect the appliance from mains power whenever it is not

in use, before relocating it, and before cleaning.

- Operate the appliance only at the voltage specified on the rating label.
- Only connect the unit to a properly installed and easily accessible socket so that you can quickly disconnect the plug if necessary.
- Do not connect this product to the mains using an extension lead.
- This fan is only intended for **INDOOR RESIDENTIAL** applications. This fan should not be used for commercial or industrial or leisure applications or in small enclosed spaces.
- Never use the mains lead as a carrying strap or pulling lead.
- To avoid a fire or electrocution hazard, **NEVER** put the cord near heat registers, radiator, stoves or heaters.
- **DO NOT** cover cord with carpeting, throw rugs, runners, or similar coverings.
- **DO NOT** route cord under furniture or appliances. Take care to position the cord away from traffic areas and where it will not be a tripping hazard.
- **DO NOT** use the unit near windows or where water collects. Rain and water collection may lead to a risk of fire or electric shock.
- Only operate this appliance with a minimum of 50cm clearance all around i.e. away from walls, furniture and overhanging objects such as curtains or a shelf.
- **WARNING:** To avoid danger of suffocation please remove all packaging materials particularly plastic and EPS and keep these away from vulnerable people, children and babies.
- **NEVER** drop or insert any object or fingers into any openings.
- Do not use the appliance in locations where paint, petrol or other flammable liquids are used or stored.
- Do not use bug sprays or other flammable cleansers/vapour sprays on or around the unit.

- Always switch off the unit and take the plug out of the socket:
 - If you are not using the unit
 - Before you clean or carry out maintenance on the unit
 - If a fault occurs
 - In the event of an electrical storm.
- Avoid electromagnetic interference. Keep the unit at least 1 metre away from electrical appliances such as televisions & radios.
- **DO NOT** use this appliance with an extension lead or power board.



Exposed to the weather outdoors



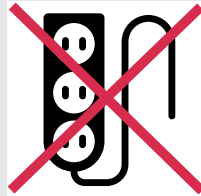
Near water



If the power cable wires are frayed or cut



Where small children may be left unattended



No extension leads or power boards



Where the power cable may be damaged



On a slope or uneven surface



Where there is risk of fire or close to a naked flame



Where it may be damaged by chemicals



Where there is a risk of interference by foreign objects



This product is not made for DIY repair



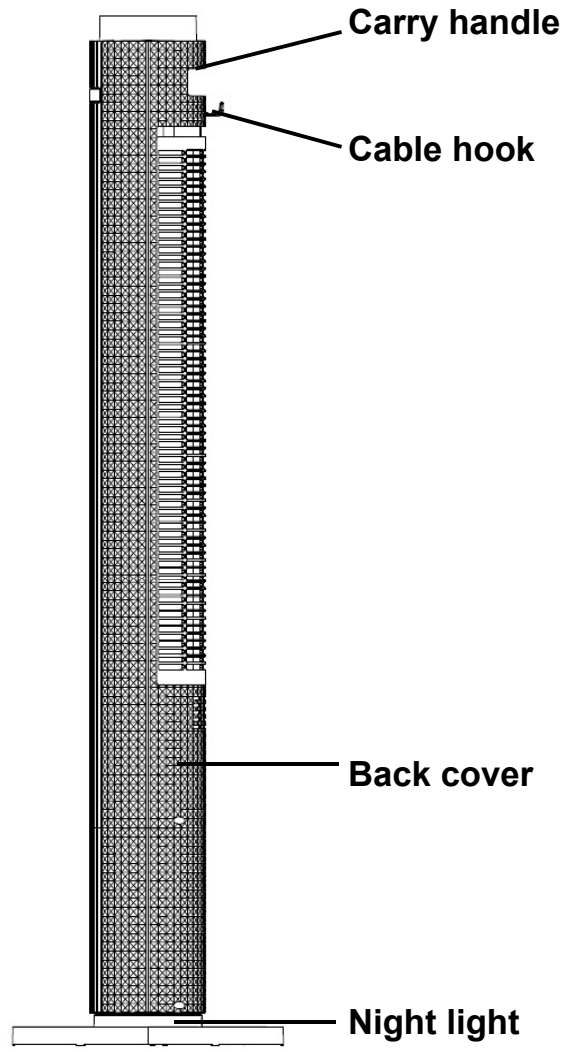
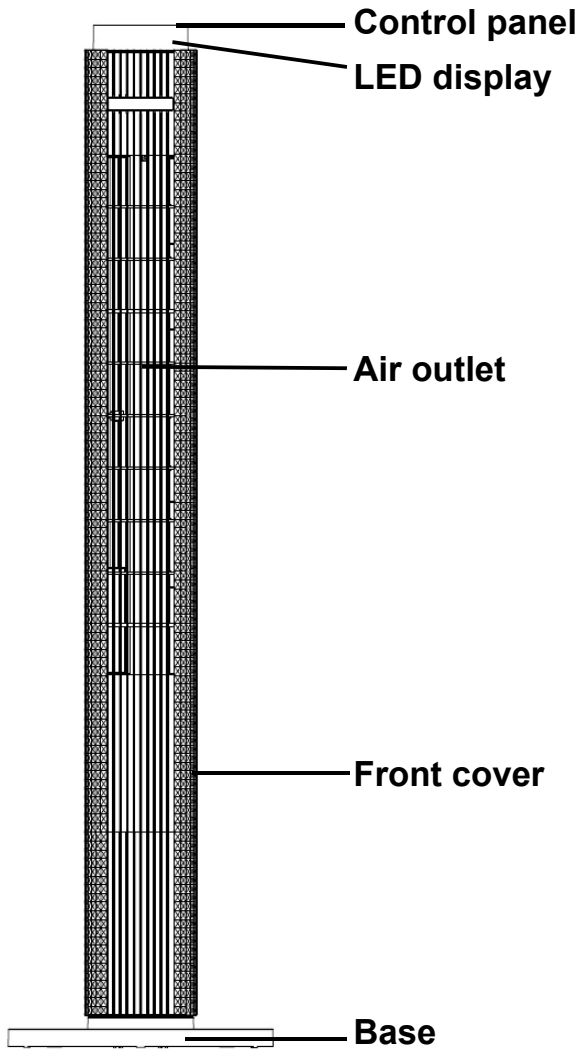
If there is a risk of water falling on the unit

Specification

| Model no. | DCTF117NL |
|------------------------|--------------------|
| Colour | White |
| Power supply | 220-240V- 50-60Hz |
| Rated power | 45W |
| Speed settings | 3 |
| Modes | 4 |
| Timer | 1-12hrs |
| Air speed | 2.7m/s |
| Oscillating | 75° |
| Controls | Button & Remote |
| Noise level | 53.8dB |
| Weight (net) | 3.63kg |
| Dimensions (w x d x h) | 315 x 315 x 1170mm |

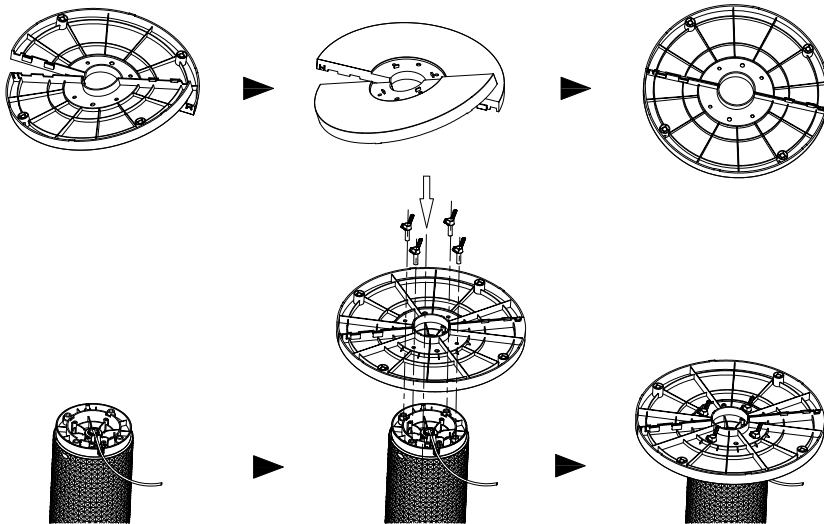
- For greater precision, please always refer to the rating label placed on the product.

Parts



Assembly

1. Place the two parts of the base together.
2. Line up the Tower Fan with the base.
3. Use the fixed knob to secure the base onto the Tower Fan.
4. Put wire in the recess, then fix the base on the fan body with four screws(included) and turn the screws clockwise.

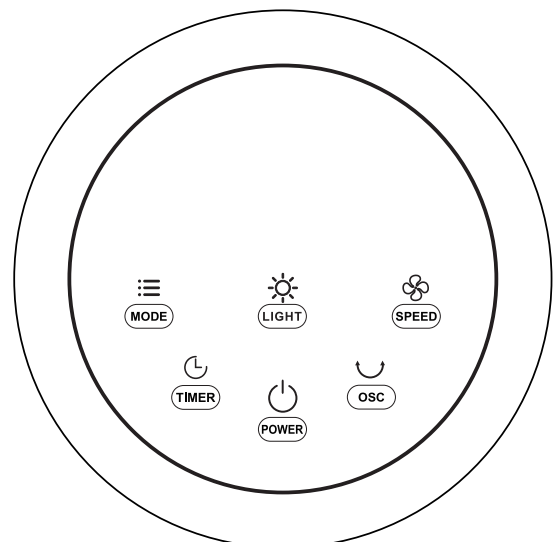
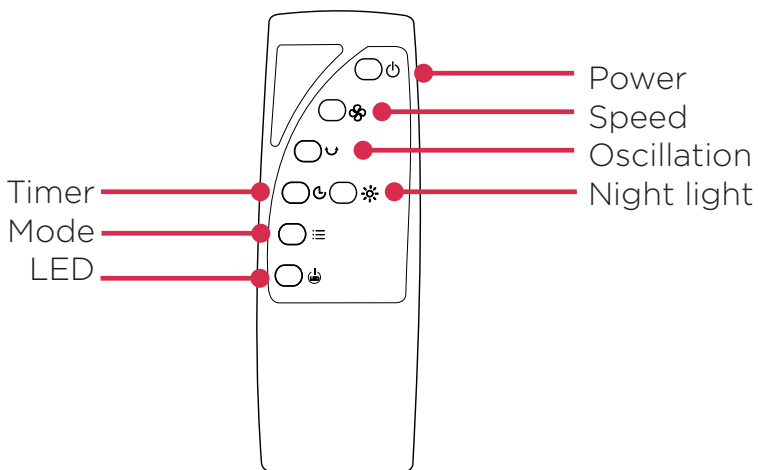


Operation

This tower fan can be operated by the Button and remote control. Please refer to the below diagrams and descriptions.

Remote Control

1. Install 2 x AAA batteries (not included) into the remote.
2. All remote control buttons are labeled as below and all the remote control functions work identically as the manual controls.

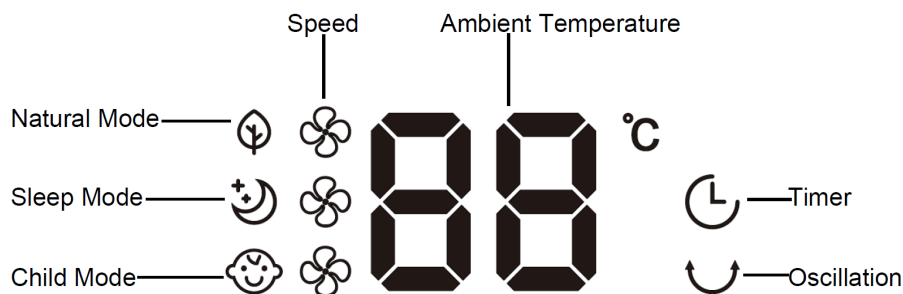


Remote Control

Operation

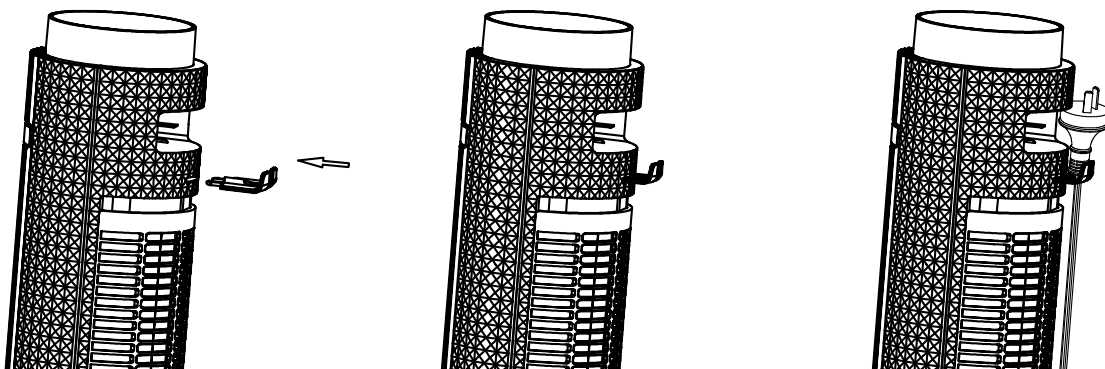
Manual Controls

1. Place the fan on a table or flat surface. Plug the cord set into an appropriate electrical outlet.
2. Turn the fan on by pressing the **'POWER'** button. Turn the fan off by pressing the **'POWER'** button again.
3. You can adjust the fan speed to the desired level: low, medium and high by pressing the **'SPEED'** button. The speed setting is displayed on the LED panel.
4. You can adjust the fan mode by pressing the **'MODE'** button. The four modes are 'natural' 'normal' 'sleep' and 'child'.
5. To set the fans timer, press the **'TIMER'** button. This allows you to set the fans length of operation between 1-12 hours.
6. To make the fan oscillate, press the **'OSC'** button. This allows the fan to oscillate up to 75° .
7. Turn the LED display temporarily off by pressing the **'LED'** button on the remote or by pressing and holding the **'SPEED'** button on the control panel for more than 3 seconds. The display will light up again once any control button is pressed.
8. Turn on the Nightlight by pressing the **'LIGHT'** button on the remote or on the control panel. Turn the Nightlight off by pressing the **'LIGHT'** button on the remote



Cable Hook:

The cable hook is packed in the user manual, Take it out and install it on the backside of the fan. The power cord can be hung at the cable hook when the fan is not in use.



Operation

Operation Modes

- 1. NORMAL Mode:** The default mode is normal mode. Fan will start work at the set speed.
- 2. NATURAL Mode:** Fan will start work at low speed (5s), medium speed(5s), high speed(5s), medium speed(5s), then continue to cycle.
- 3. SLEEP Mode:** (1) If the fan is to high speed, the fan will operate at high speed for 30 minutes, then the fan will transfer to and operate at medium speed for 30 mins, The fan twill then transfer and operate at low speed for 30 minutes, then will turn off. (2) If the fan is to medium speed, the fan will operate at medium speed for 30 minutes. The fan twill then transfer and operate at low speed for 30 minutes, then will turn off. (3) If the fan is to low speed, the fan will operate at low speed for 30 minutes then will turn off. The LED display will turn off after 30 seconds if no further input is detected
- 4. CHILD Mode:** The fan will automatically set a timer at 3 hours and the oscillation function will start. Then fan will begin to operate at high speed for 15 minutes, then transfer to and operate at medium speed for 15 minutes. The fan will then transfer to and operate at low speed until the timer finishes. The LED display will turn off if you don't control the fan in 30 seconds, touch any button to turn on the display

Cleaning

Over time, dust can accumulate on the fan grille, which can affect the fans performance. It is recommended to clean the fan at least once a month.

1. Turn the unit OFF and disconnect the appliance from the power supply.
2. Remove any dust build up with a soft brush.
3. Wipe the surface of the unit with a soft damp cloth. Mild detergent can be used for any stubborn marks.

Do not use abrasive sponges, scouring pads, or a stiff brush to clean the unit.

IMPORTANT

The control panel and other parts must not come into contact with water or any other liquids.

Storage

If not using the unit for an extended period of time. After cleaning please:

- Turn the unit off, unplug and take care of the mains lead & plug.
- Cover the unit and store it upright in a location where it will not receive direct sunlight. NB- Prolonged exposure to direct sunlight will discolour the enclosure.

Maintenance

If the unit fails to operate efficiently, is broken or other problems arise, unplug and do not operate. Ask for advice by calling your local after sales service agent or the Customer Care Centre on 1300 556 816 (AU) / 0800 666 2824 (NZ).

Warranty

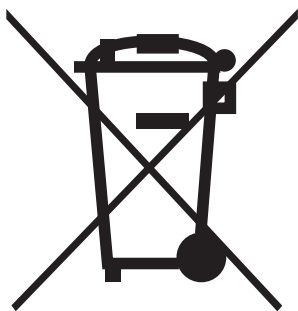
Please refer to the warranty card in the box for warranty information. For any troubleshooting advice, please contact the relative Customer Care Centre below.

Glen Dimplex Australia Pty Ltd

8 Lakeview Drive,
Scoresby 3179, Victoria
Australia
Ph: 1300 556 816

Glen Dimplex New Zealand Ltd

38 Harris Road, East Tamaki,
Auckland 2013
New Zealand
Ph: 0800 666 2824



Recycling: Do not dispose of electrical appliances as unsorted municipal waste. Use separate collection facilities. Contact your local government for information regarding the collection systems available. If electrical appliances are disposed of in landfills or dumps, hazardous substances can leak into the ground water, polluting the food chain and damaging health and well-being.



Customer Care: 1300 556 816
customer.care@glendimplex.com.au
www.dimplex.com.au

Supplied by Glen Dimplex Australia
8 Lakeview Drive, Scoresby, Victoria, 3179

© Glen Dimplex Australia. All rights reserved. Material contained in this publication may not be reproduced in whole or in part, without prior permission in writing of Glen Dimplex Australia.