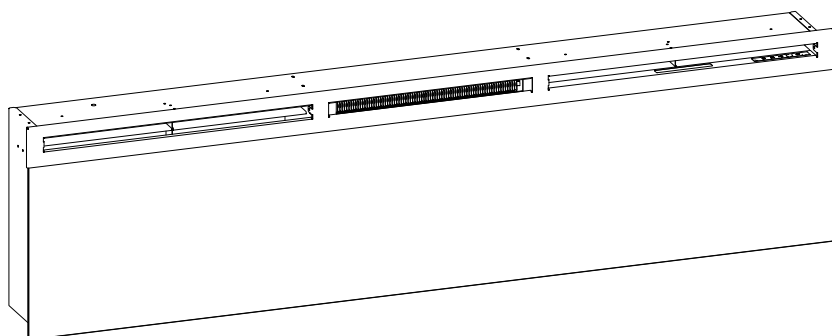
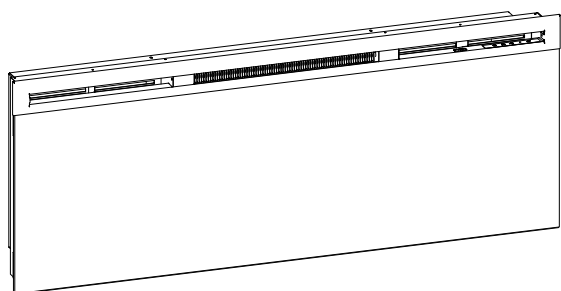
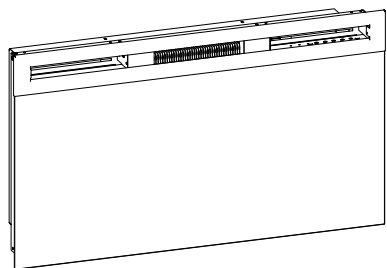




INSTRUCTION MANUAL



Prism 1.2kW Wall Mounted Electric Fire

Models: BLF3451-AU, BLF5051-AU & BLF7451-AU

For domestic household use only.



IMPORTANT


THESE INSTRUCTIONS SHOULD BE READ CAREFULLY AND RETAINED FOR FUTURE REFERENCE.

CAUTION: FAILURE TO FOLLOW THESE INSTRUCTIONS MAY CAUSE INJURY AND/OR DAMAGE AND MAY INVALIDATE YOUR WARRANTY

Please read the operating instructions carefully before using your product for the first time and keep them in a safe place.

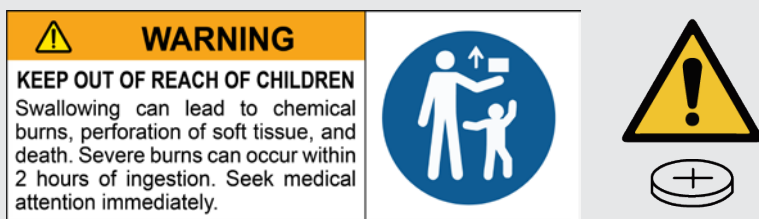
- When using electrical appliances, basic precautions should always be followed to reduce the risk of fire, electrical shock and injury to persons, including the following:
- If the appliance is damaged, check with the supplier before installation and operation.
 - Do not use outdoors.
 - Do not use in the immediate surroundings of a bath, shower or a swimming pool.
 - Do not use this heater if it has been dropped.
 - Do not use if there are visible signs of damage to the heater.
 - Use this heater on a horizontal and stable surface, or fix it to the wall, as applicable.
- Do not locate the appliance immediately below a fixed socket outlet or connection box.
- This appliance is not intended for use by persons (including children) with reduced physical, sensory or mental capabilities, or lack of experience and knowledge, unless they have been given supervision or instruction concerning use of the appliance by a person responsible for their safety.
- Children should be supervised to ensure that they do not play with the appliance.
- Do not use this appliance in series with a thermal control, a program controller, a timer or any other device that switches on the heat automatically, since a fire risk exists when the appliance is accidentally covered or dis-placed.
- In the event of a fault, unplug the appliance.
- Unplug the appliance when not required for long periods.
- This product is only intended for **INDOOR RESIDENTIAL** applications only.
- **DO NOT** cover cord with carpeting, throw rugs, runners, or similar coverings.
- **DO NOT** route cord under furniture or appliances. Take care to position the cord away from traffic areas and where it will not be a tripping hazard.
- This appliance must not be used in a bathroom.
- Although this appliance complies with safety standards, we do not recommend

its use on deep pile carpets or on long hair type of rugs

- The appliance must be positioned so that the plug is accessible.
- If the supply cord is damaged it must be replaced by the manufacturer or service agent or a similarly qualified person in order to avoid a hazard.
- Keep the supply cord away from the front of the appliance.
- Do not use this heater in small rooms when they are occupied by persons not capable of leaving the room on their own, unless constant supervision is provided.
- To reduce the risk of fire, keep textiles, curtains and or flammable material a minimum distance of 1m from the air outlet.
- In order to avoid overheating, **DO NOT COVER** the appliance. Do not place material or garments on the appliance, or obstruct the air circulation around the appliance, for instance by curtains or furniture, as this could cause overheating and a fire risk.
-  This Heater carries the warning symbol indicating that it must not be covered.
- In order to avoid a hazard due to inadvertent resetting of the thermal cut-out, this appliance must not be supplied through an external switching device, such as a timer, or connected to a circuit that is regularly switched on and off by the utility.
- **CAUTION** Some parts of this product can become very hot and cause burns. Particular attention has to be given where children and vulnerable people are present.
- Children shall not turn on/off the appliance.
- Ensure that furniture, curtains or other combustible material are positioned no closer than 1 metre from the appliance.
- Unplug the appliance when not required for long periods.
- Keep the supply cord away from the front of the appliance.
- This product is only suitable for well insulated rooms or occasional use.

WARNING: KEEP BATTERIES OUT OF REACH OF CHILDREN

- Swallowing may lead to serious injury in as little as 2 hours or death, due to chemical burns and potential perforation of the oesophagus.
- If you suspect your child has swallowed or inserted a button battery immediately call the 24-hour Poisons Information Centre on 13 11 26 (in Australia) or 0800 764 766 (in New Zealand) for fast, expert advice.
- Examine devices and make sure the battery compartment is correctly secured, e.g. that the screw or other mechanical fastener is tightened. Do not use if the compartment is not secure.
- Dispose of used button batteries immediately and safely. Flat batteries can still be dangerous.



CAUTION: No obvious symptoms

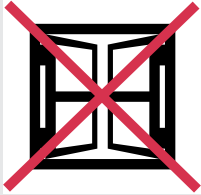
Unfortunately, it is not obvious when a button or coin battery is stuck in a child's oesophagus (food pipe).

There are no specific symptoms associated with this. The child might:

- cough, gag or drool a lot
- appear to have a stomach upset or virus
- be sick
- point to their throat or stomach
- have a pain in their abdomen, chest or throat
- be tired or lethargic
- be quieter or more clingy than usual or otherwise 'not themselves'
- lose their appetite or have a reduced appetite
- not want to eat solid food/be unable to eat solid food

These types of symptoms vary or fluctuate, with the pain increasing and then subsiding.

A specific symptom to button and coin battery ingestion is vomiting fresh (bright red) blood. If the child does this seek immediate help. The lack of clear symptoms is why it is important to be vigilant with 'flat' or spare button or coin batteries in the home and the products that contain them.



Exposed to the weather outdoors



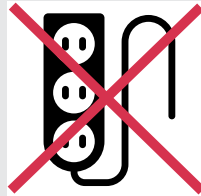
Near water



If the power cable wires are frayed or cut



Where small children may be left unattended



No extension leads or power boards



Where the power cable may be damaged



On a slope or uneven surface



Where there is risk of fire or close to a naked flame



Where it may be damaged by chemicals



Where there is a risk of interference by foreign objects



This product is not made for DIY repair



If there is a risk of water falling on the unit

Specifications

Model no.	BLF3451-AU	BLF5051-AU	BLF7451-AU
Colour/Finish	Self-trimming black		
Wattage	1200		
Heat Settings	2		
Thermostat Control	Yes		
LED effect	Yes		
Remote Control	Yes		
Warranty	2 Years		
Dimensions (w x d x h)	867w x 179d x 494h	1280w x 179d x 494h	1883w x 187d x 494h

For greater precision, please always refer to the rating label placed on the product.

General Information

Unpack the heater carefully and retain the packaging for possible future use, in the event of moving or returning the fire to your supplier.

The fire incorporates a flame effect, which can be used with or without heating, so that the comforting effect may be enjoyed at any time of the year. Using the flame effect on its own only requires little electricity.

Before connecting the heater check that the supply voltage is the same as that stated on the heater.

Please note: Used in an environment where background noise is very low, it may be possible to hear a sound which is related to the operation of the flame effect. This is normal and should not be a cause for concern.

Electrical Connection

⚠ WARNING: THIS APPLIANCE MUST BE EARTHED

This heater must be used on an AC ~ supply only and the voltage marked on the heater must correspond to the supply voltage.

Before switching on, please read the safety warnings and operating instructions.

Fixed Wiring

In some jurisdictions this appliance is supplied without a plug this is to comply with the local regulations. In such instances this appliance must be installed by a suitably qualified installer and the means for disconnection must be incorporated in the fixed wiring in accordance with the local wiring rules.

Thermal Safety Cut-out

The built-in overheat cut-out, switches off the appliance automatically in the event of a fault! Should this occur switch off the appliance or disconnect the mains plug from the socket.

Remove any obstructions which may have caused the overheating. After a short cooling down phase, the appliance is ready for use again! If the fault should occur again, contact your local dealer!

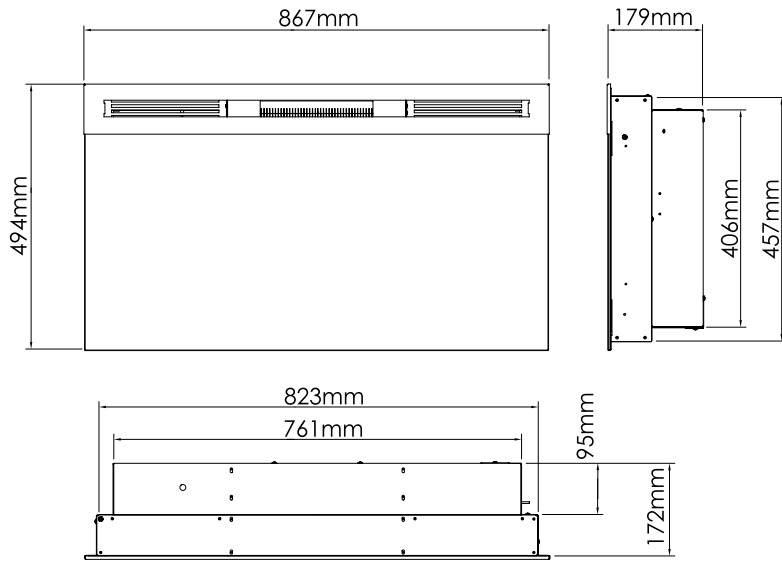
WARNING: In order to avoid a hazard due to inadvertent resetting of the thermal cut-out, this appliance must not be supplied through an external switching device, such as a timer, or connected to a circuit that is regularly switched on and off by the utility.

Light Emitting Diode

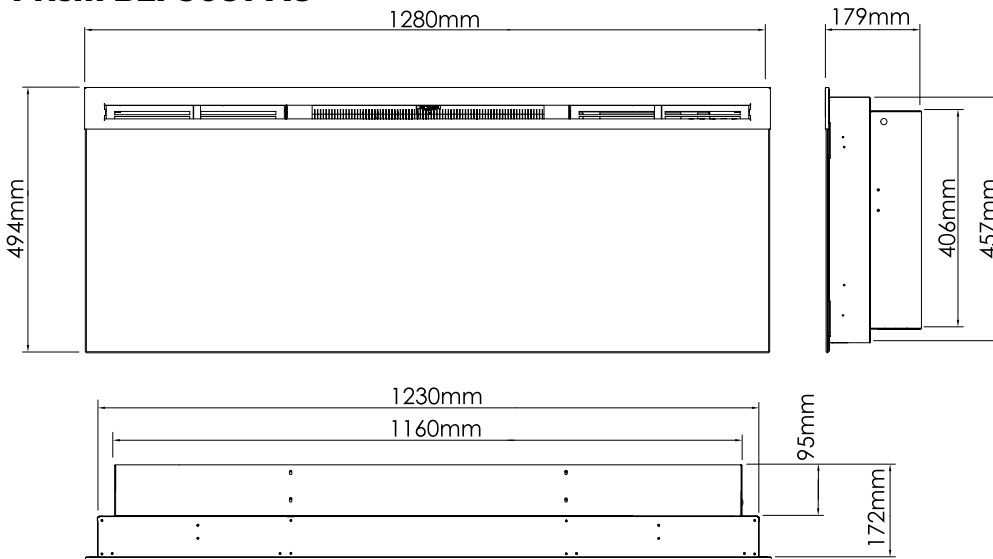
This fire is fitted with LED (Light Emitting Diode) lamps. These LED lamps are maintenance-free and should not require replacing during the life of the product.

Product Dimensions

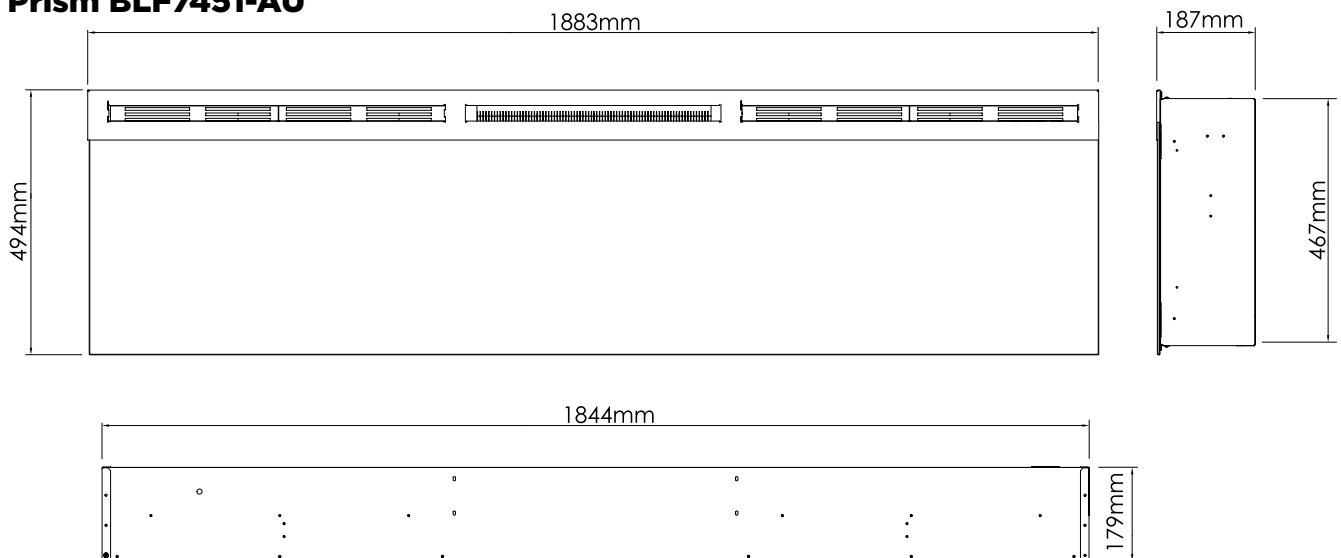
34" Prism BLF3451-AU



50" Prism BLF5051-AU



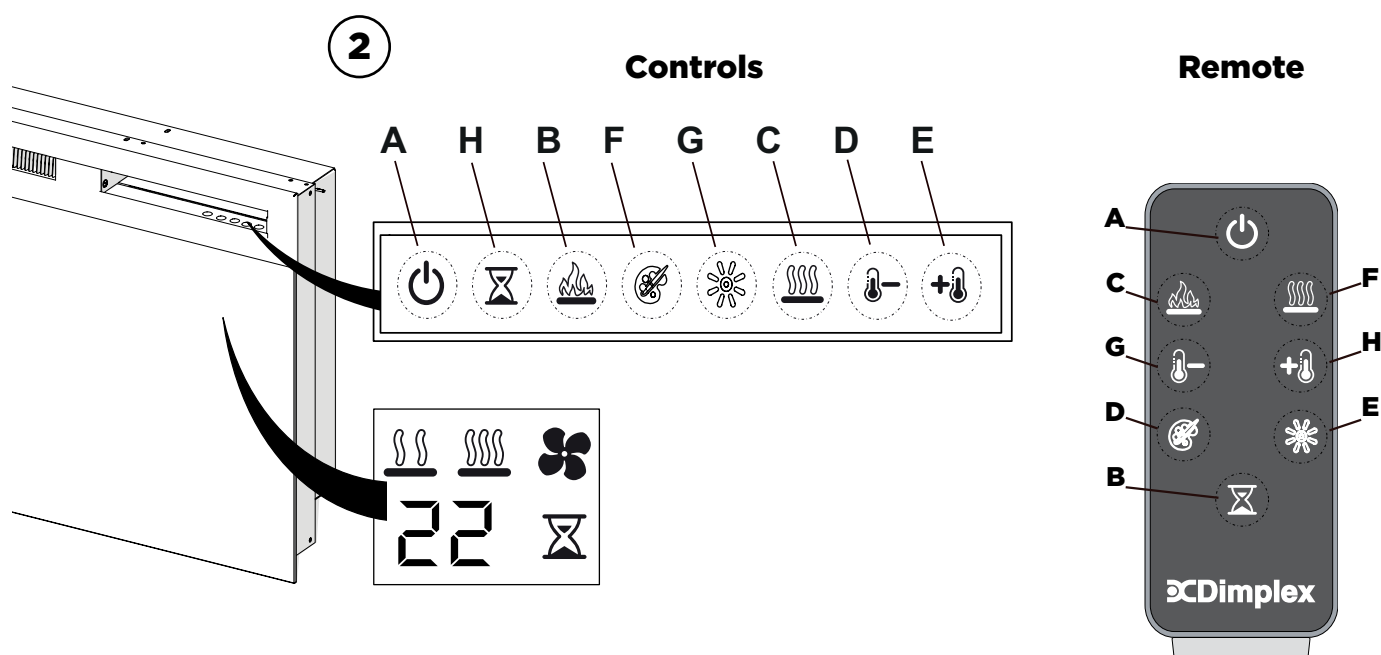
74" Prism BLF7451-AU



Control Panel & Remote

WARNING: The Electric Firebox must be installed properly before it is used.

CAUTION: Except for installation and cleaning described in this manual, an authorized service representative should perform any other servicing. The manual controls are located at the top left hand side as pictured below. The selected setting displays on the right side of the front panel.



Remote Control

The maximum range of use is ~ 5 metres.

NOTE: It takes time for the receiver to respond to the transmitter.

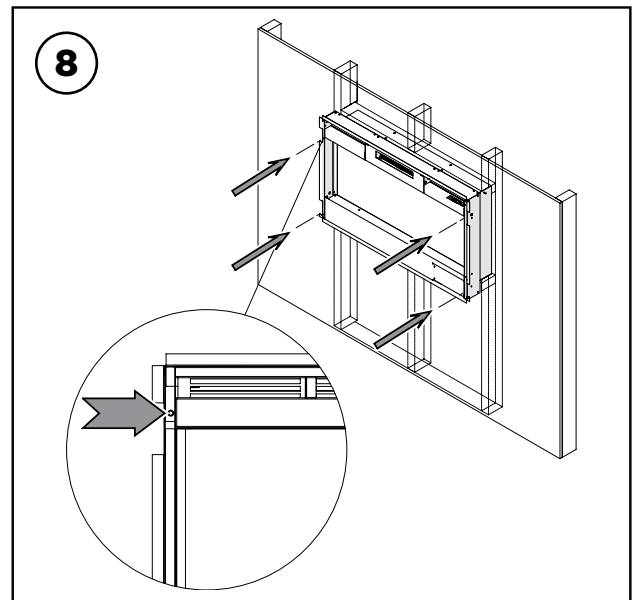
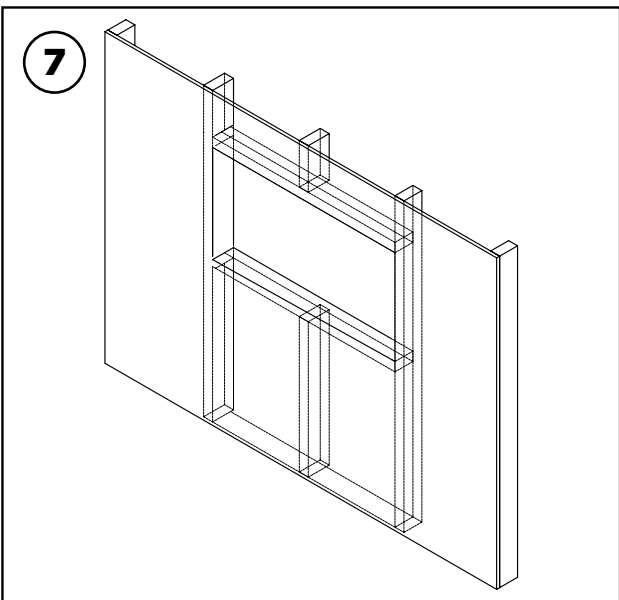
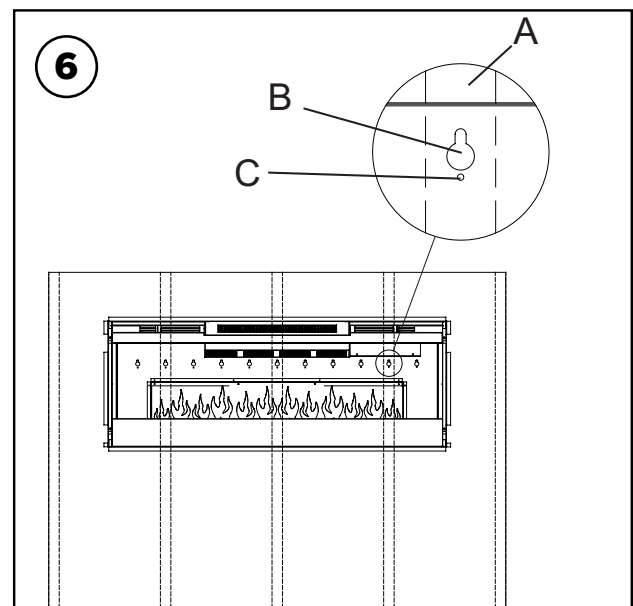
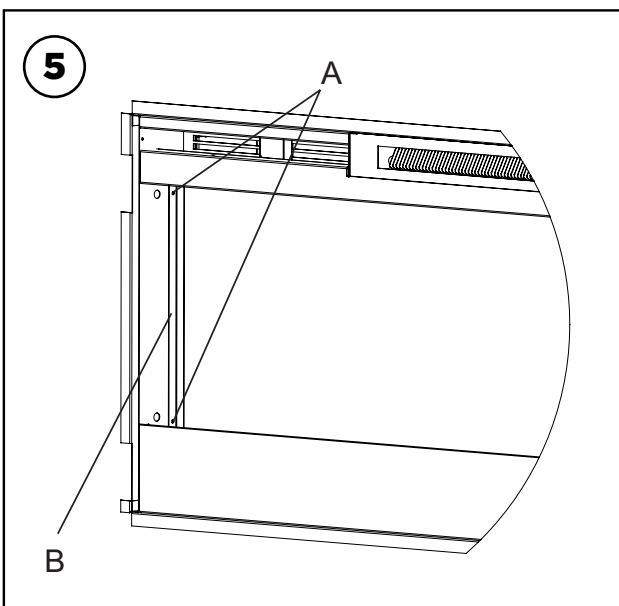
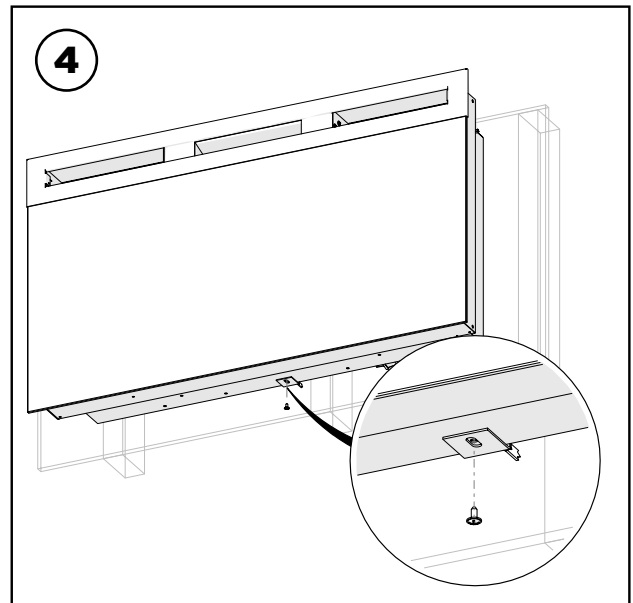
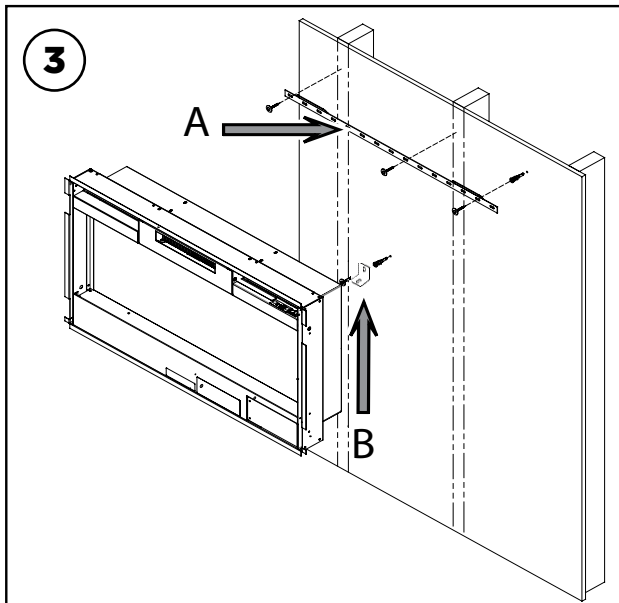
NOTE: The receiver for the remote control is located in the display, aim the remote control in this direction when inputting commands.

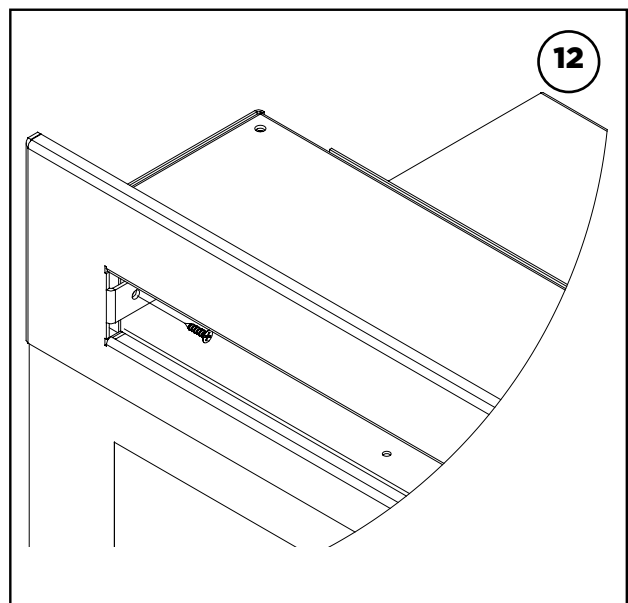
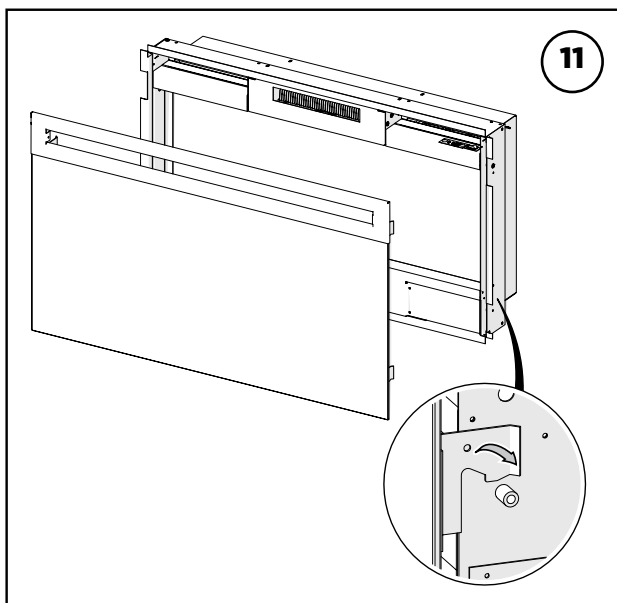
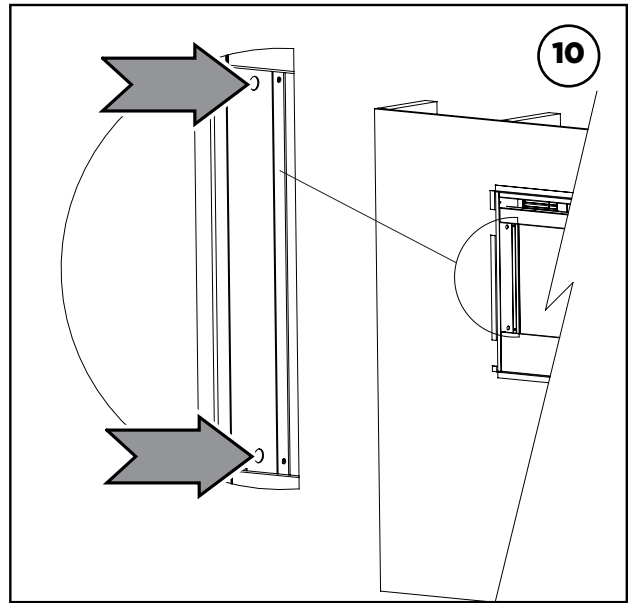
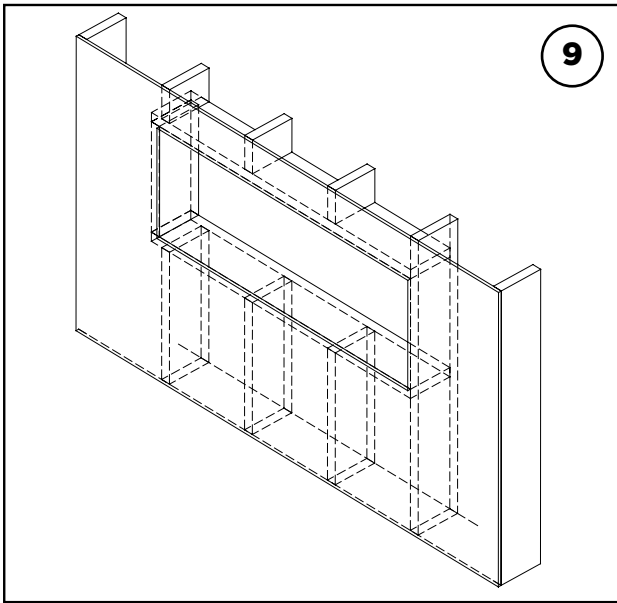
Do not press the buttons more than once within two seconds for correct operation.

Battery Information - See above

1. To activate the remote control remove the clear battery isolation strip at the base of the remote control, which is used to ensure your remote control reaches you fully charged.
2. To replace the remote control battery, turn over the remote control and follow the diagram embossed on the remote control. Remove the screw and push down on the battery cover located on the back of the remote control. Slide the battery cover open. Insert new battery with the (+) side up, and then close and replace the screw.
3. Only use CR2025 or CR2032 size of batteries.

Installation





Front Glass Installation- see Fig. 11 & 12 above

1. Pour and evenly distribute the supplied media in the media tray of the firebox.
2. Carefully mount front glass assembly so that the front glass hooks hang on the front glass mounts on the fireplace (Figure 11).
3. Use the supplied four Phillips sheet metal screws to fasten the glass assembly tabs to the fireplace (Figure 12).

There are three possible mounting methods:

1. Surface Mounting
2. Partial Recessed (**Not on 74" Model**)
3. Flush Mount

Surface Mounting (34" & 74" Models)- see Fig. 3 & 4

⚠ CAUTION: Two people will be required for various steps of this procedure.

1. Determine the mounting location of the unit so that the wall-mounting bracket can be installed into a minimum of 2 wall studs for the 34" Models and 4 wall studs for the 74" Models

NOTE: It is recommended that the mounting bracket be installed 142cm off of the ground to maintain an optimized viewing angle of the flame.

2. Hold the wall mounting bracket, with the spirit level on the top, on the wall so that the bubble on the level is centered between the two black lines.
3. Mark the 4 mounting screw locations, on the wall, ensuring that the wall bracket stays level (Fig. 3) marked (A).
4. In locations where the screws are being installed only into drywall, install the supplied wall anchors before installing the screw (pre-drill if required).
5. Secure the wall bracket to the wall using the supplied 3.8 cm mounting screws and washers into the wall and/or wall anchors.
6. Install the bottom support bracket to the wall centered with the wall mounting bracket, using the appropriate mounting hardware, 350mm below the wall mounting bracket (Fig. 3) marked (B).
7. Remove the center screw from the bottom of the fireplace. (Fig. 4)
8. Hang the fireplace from the bracket.
9. Install the previously removed screw through the bottom support bracket into the fireplace.
10. Refer to Front Glass Installation section for final installation procedures.

Surface Mounting (50" Models) - see Fig. 5 & 6

⚠ CAUTION: Two people may be required for various steps of this procedure.

1. Choose a location which has a minimum of two wall studs available for mounting.
2. Remove the partially reflective glass from the fireplace:
 - Lay fireplace on its back.
 - Remove two Phillips screws from each of the two glass brackets (Fig. 5) marked (A).
 - Remove glass brackets (Fig. 5) marked (B).
 - With one hand keeping pressure on the partially reflective glass, tilt the fireplace upright and slightly forward to allow the partially reflective glass to fall out of the inside framing.

⚠ CAUTION: Partially reflective glass is not tempered. Do not bump or drop the partially reflective glass to avoid breakage and personal injury.

- Remove partially reflective glass from fireplace.

Surface Mounting (50" Models) continued.

1. Position the fireplace on a wall in the place where it will be mounted (Fig. 6). Use a spirit level (one is supplied) to ensure that fireplace is level on the wall.
2. Ensuring that at least two key-holes, line up with a wall stud (key-holes are spaced at 10.2cm centre) (Fig. 6) marked (A), mark the location of four screw locations on the wall (through key-holes).
3. Remove fireplace from wall and store in a safe place away from traffic.
4. Where marked screw locations do not line up with a wall stud, insert (screw in) one of the two supplied wall anchors (pre-drill if required). Repeat if only two screws line up with a wall stud.
5. Screw all four supplied #8, 3.8cm square head mounting screws and washers into the wall and/or wall anchors leaving 6.5mm of thread.
6. Align chosen key-holes with screws and hang fireplace on the wall. Screw heads and washers will fit through key-holes and fireplace will slide down into place (screws will slide into narrow part of key-holes).
7. Tighten all four mounting screws down on fireplace chassis.
8. Screw the two supplied #8 square head screws through two of the permanent mounting holes (Fig. 6) marked (C) which align with a wall stud.
9. Carefully replace and install partially reflective glass and glass brackets using screws from step 1.
10. Refer to Front Glass Installation section for final installation procedures.

Partial Recessed (Not possible on 74" Models)- see Fig. 7 & 8

⚠ CAUTION: Two people may be required for various steps of this procedure.

1. Prepare a wall with a framed opening for the correct model (Fig. 7)
 - 34" Models: 77.5cm wide x 42cm high
 - 50" Models: 118.1 cm wide x 42cm high

NOTE: The sizing has allowed for 6.4mm around the fireplace insert for ease of installation. This fireplace does not require any additional venting.

2. Choose your method of supplying power to the unit:
 - Plug in (you may run the power cord out of the framed wall opening to an existing outlet or install an outlet on a nearby wall stud within the wall).
 - Hard wire the fireplace.

⚠ WARNING: Do not attempt to wire your own new outlets or circuits. To reduce the risk of fire, electric shock or injury to persons, always use a licensed electrician.

⚠ WARNING: Ensure that the circuit on which the fireplace is to be installed has the power cut off at the service panel until installation is complete.

3. Lift fireplace and insert into opening (Fig. 8).
4. Use spirit level (supplied) to level the fireplace within the framing. Adjust as required.
5. Drive four supplied mounting screws through the four mounting holes located in each corner of the fireplace chassis, into wall studs (Fig. 8).
6. Refer to Front Glass Installation section for final installation procedures.

Installation

Flush Mount- see Fig. 9 & 10

⚠ CAUTION: Two people will be required for various steps of this procedure.

1. Prepare a wall with a framed opening for the correct model (Fig. 9)
 - 34" Model: 83.8cm wide x 47cm high
 - 50" Model : 124.5cm wide x 47cm high
 - 74" Model: 185.4cm wide x 47cm high

! NOTE: It is recommended that the bottom of the unit not be mounted higher than 102cm from the ground to maintain an optimized viewing angle of the flame.

⚠ WARNING: Do not attempt to wire your own new outlets or circuits. To reduce the risk of fire, electric shock or injury to persons, always use a licensed electrician.

⚠ WARNING: Ensure that the circuit on which the fireplace is to be installed has the power cut off at the service panel until installation is complete.







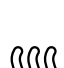





2. Lift fireplace and insert into opening. The fireplace's mounting trim should be flush against the wall (Fig. 10).
3. Use the supplied spirit level to level the fireplace within the framing, adjust as required.
4. Drive four supplied mounting screws through the four mounting holes located on the inside surface of the fireplace chassis, into wall studs (Fig. 10).
5. Refer to Front Glass Installation section for final installation procedures.

Operation

User Modes:

Mode Name / Description	Action (Actions cannot be input by remote control)
Change Celsius (°C) to Fahrenheit (°F)	Press both 3 Dot Button (+) and 2 Dot Button (-) on the unit and hold until beep is heard and display flashes. (To revert back to Celsius repeat this action)
Disable / Enable Heat Options	Hold both 1 Dot Button (HEAT) and Flame Button (FLAME), on the unit, for 2 seconds, when the heater has been disabled the display will read "--" and beep. To enable heat repeat this action.

Operation

	Icon	Display	Function	Description
A		-	Power / Standby	Press once to turn the product 'ON'. Press a second time to put the product into 'STANDBY' (When returning from 'STANDBY' mode the product will return to previous settings unless the product has been plugged out, in which case it will reset to factory settings)
B			Sleep Timer	Press multiple times to change the 'SLEEP TIMER' in 0.5 hr increments from 0.5 hr to 8.0 hr before turning off. The remaining time on the 'SLEEP TIMER' displays. (This icon is Green in Colour)
C		Flame Effect		'FLAME EFFECT' button cycles the unit sequentially through the 4 settings, LOW FLAME, HIGH FLAME, DEMO MODE and OFF.
		F1	Low Flame	This setting will run the flame effect at a low brightness level. (The display will show F1)
		F2	High Flame	This setting will run the flame effect at a high brightness level. (The display will show F2)
		FP	Demo Mode	This setting will slowly pulse the flame effect between low and high brightness. (The display will show FP)
		-	Off	This will turn the flame effect off. If the heater is running, the display will activate and remain active to read the set temperature and show if the product is on LOW HEAT/ HIGH HEAT/COOL BLOW.
D		Colour Theme		'Colour Themes' are setting which change the colour of the fuel bed and there are eight different themes
			Theme 1	Theme 1 is a 'Demo Mode' - this setting will scroll through all of the colour settings, you can 'Pause' this demo mode by pressing the 'Brightness Button' / * in which case the display will read .P to 'Unpause' press the 'Brightness Button' / * in which case display will read .L
		2-8	Theme 2-8	Themes 2-8 are pre-set colours that remain static.
E		-	Brightness	This button switches themes 2-8 between full brightness and half brightness. This button also interacts with the product when set on theme as previously described above
F		Heat		'HEAT' button cycles the unit sequentially through the 4 settings: LOW HEAT, HIGH HEAT, COOL BLOW and OFF. The heat setting will be indicated by an icon in the floating display see Fig. 2. When the flame effect is 'ON' the floating display will turn off after 5 seconds, however if the heater is being used independently of the flame effect. The low heat or high heat icon will appear continuously in the floating display.
			Low Heat	This setting will run the heater at 'LOW HEAT' - this setting will be indicated by the 'LOW HEAT' icon and the letters 'LO' appearing in the display. (This icon is Orange in Colour)
			High Heat	This icon in the floating display indicates 'HIGH HEAT' - this setting will be indicated by the 'HIGH HEAT' icon and the letters 'HI' appearing in the display. (This icon is Red in Colour)
			Cool Blow	This icon in the floating display indicates 'COOL BLOW' - this setting will be indicated by the 'COOL BLOW' icon and the letters 'CB' appearing in the display. (This icon is Blue in Colour)
		-	Off	This switches the heater and blower 'OFF', no icon will be displayed in the floating display. Note the blower will run for 10-20 seconds after being turned off, this is to ensure the product cools down safely.
G		-	Temp Down	Press multiple times to lower the heater temperature in 1°C increments. The lowest temperature that can be set is 5°C. Note: Once you stop at your desired temperature, this will flash 3 times, then the display will show the room temperature as detected by the product. If the set temperature is lower than the detected room temperature the heater will not activate.
H		-	Temp Up	Press multiple times to increase the heater temperature in 1°C increments. The highest temperature that can be set is 37°C. Note: Once you stop at your desired temperature, this will flash 3 times, then the display will show the room temperature as detected by the product. If the set temperature is lower than the detected room temperature the heater will not activate.

Cleaning

Over time, dust can accumulate which can effect performance. It is recommended to clean the unit at least once a month.

CAUTION: ALWAYS Turn the unit **OFF** and disconnect the appliance from the power supply before undergoing any cleaning and maintenance.

For general cleaning use a soft clean duster – never use abrasive cleaners. The glass viewing screen should be cleaned carefully with a soft cloth.

DO NOT use proprietary glass cleaners.

To remove any accumulation of dust or fluff, the soft brush attachment of a vacuum cleaner should occasionally be used to clean the outlet grille of the fan heater.

WARNING: do not operate the product without the grille and outer glass in position as this may effect the operation of the heater.

Warranty

Please refer to the warranty card in the box for warranty information. For any troubleshooting advice, please contact the relative Customer Care Centre below.

Glen Dimplex Australia Pty Ltd

8 Lakeview Drive,
Scoresby 3179, Victoria
Australia
Ph: 1300 556 816

Glen Dimplex New Zealand Ltd

38 Harris Road, East Tamaki,
Auckland 2013
New Zealand
Ph: 0800 666 2824



Recycling: Do not dispose of electrical appliances as unsorted municipal waste. Use separate collection facilities. Contact your local government for information regarding the collection systems available. If electrical appliances are disposed of in landfills or dumps, hazardous substances can leak into the ground water, polluting the food chain and damaging health and well-being.



Customer Care: 1300 556 816
customer.care@glendimplex.com.au
www.dimplex.com.au

Supplied by Glen Dimplex Australia
8 Lakeview Drive, Scoresby, Victoria, 3179

© Glen Dimplex Australia. All rights reserved. Material contained in this publication may not be reproduced in whole or in part, without prior permission in writing of Glen Dimplex Australia.

PRISM-AU V1