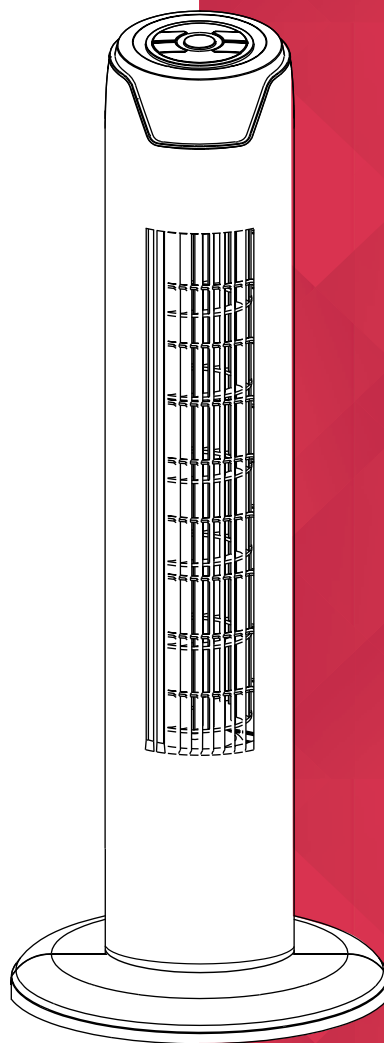




# INSTRUCTION MANUAL



## **92cm Tower Fan with Remote**

Model: DCTF92R

---

For domestic household use only.



## IMPORTANT

THESE INSTRUCTIONS SHOULD BE READ CAREFULLY AND RETAINED FOR FUTURE REFERENCE.

**Note also the information presented on the appliance**

### **CAUTION: FAILURE TO FOLLOW THESE INSTRUCTIONS MAY CAUSE INJURY AND/OR DAMAGE AND MAY INVALIDATE YOUR WARRANTY**

Please read the operating instructions carefully before using your fan for the first time and keep them in a safe place.

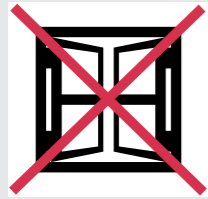
**WARNING** – This appliance must not be used in a bathroom.

**WARNING** – Do not use this appliance in the immediate surroundings of a bath, a shower or a swimming pool.

- If the mains cord is damaged it must only be replaced by the manufacturer's service agent or a similarly qualified person in order to avoid a hazard.
- This appliance is not intended for use by persons (including children) with reduced physical, sensory or mental capabilities, or lack of experience and knowledge, unless they have been given supervision or instruction concerning use of the appliance by a person responsible for their safety.
- Children should be supervised to ensure they do not play with the appliance.
- Prior to cleaning or other maintenance, the appliance must be disconnected from the supply mains.
- Never immerse the appliance in water or other liquids.
- Operate this unit only on a firm, flat surface.
- Do not place on soft, unstable or non-horizontal/angled surfaces.
- Never operate the appliance if a cord or connector has been damaged, after appliance malfunction or if the appliance was dropped or is otherwise damaged. Regularly check the power cord for damage.
- Please ask a professional service agent to repair the product. Improper repair may cause danger to users.
- Disconnect the appliance from mains power whenever it is not in use, before relocating it, removing the guard and before cleaning.
- Operate the appliance only at the voltage specified on the rating label.
- Only connect the unit to a properly installed and easily accessible socket so that you can quickly disconnect the plug if necessary.
- Do not connect this product to the mains using an extension lead.
- This fan is only intended for **INDOOR RESIDENTIAL** applications. This fan should not be used for commercial or industrial or leisure applications

or in small enclosed spaces.

- Never use the mains lead as a carrying strap or pulling lead.
- To avoid a fire or electrocution hazard, **NEVER** put the cord near heat registers, radiator, stoves or heaters.
- **DO NOT** cover cord with carpeting, throw rugs, runners, or similar coverings.
- **DO NOT** route cord under furniture or appliances. Take care to position the cord away from traffic areas and where it will not be a tripping hazard.
- **DO NOT** use the unit near windows or where water collects. Rain and water collection may lead to a risk of fire or electric shock.
- Only operate this appliance with a minimum of 1 metre clearance all around i.e. away from walls, furniture and overhanging objects such as curtains or a shelf.
- **WARNING:** To avoid danger of suffocation please remove all packaging materials particularly plastic and EPS and keep these away from vulnerable people, children and babies.
- **NEVER** drop or insert any object or fingers into any openings.
- The common cause of overheating is dust deposits or fluff in the appliance. Ensure these deposits are removed regularly by unplugging the appliance and using a vacuum to clean the air vents and grills.
- Do not use the appliance in locations where paint, petrol or other flammable liquids are used or stored.
- If the supply cord is damaged, it must be replaced by the manufacturer, its service agent or similarly qualified persons in order to avoid a hazard.
- Do not use bug sprays or other flammable cleansers/vapour sprays on or around the unit.
- Always switch off the unit and take the plug out of the socket:
  - If you are not using the unit
  - Before you clean or carry out maintenance on the unit
  - If a fault occurs
  - In the event of an electrical storm.
- Avoid electromagnetic interference. Keep the unit at least 1 metre away from electrical appliances such as televisions & radios.
- If your appliance does not work, or not working properly, contact the place of purchase. Repair work on the appliance by unqualified persons can cause serious risk to the user.



Exposed to the weather outdoors



Near water



If the power cable wires are frayed or cut



Where small children may be left unattended



If an extension lead may become overloaded



Where the power cable may be damaged



On a slope or uneven surface



Where there is risk of fire or close to a naked flame



Where it may be damaged by chemicals



Where there is a risk of interference by foreign objects



This product is not made for DIY repair



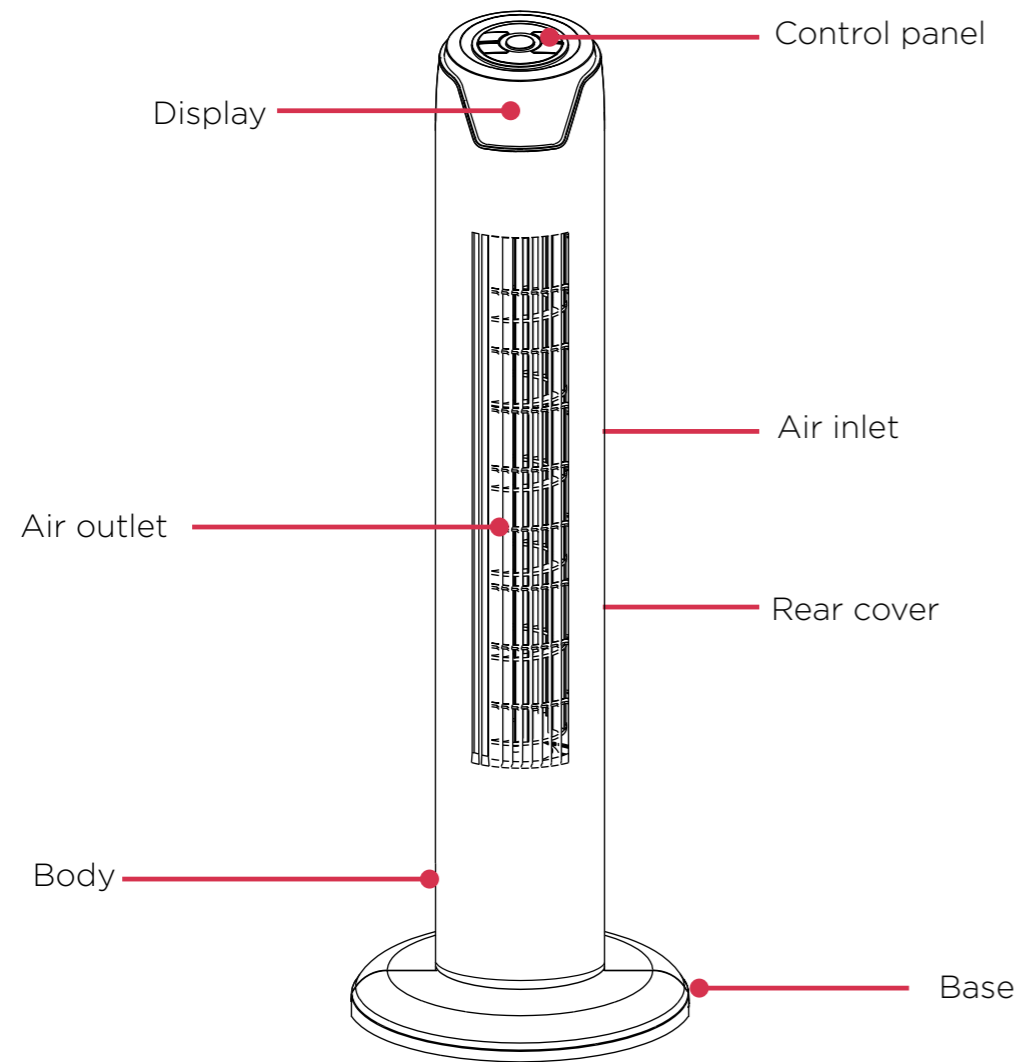
If there is a risk of water falling on the unit

## Specification

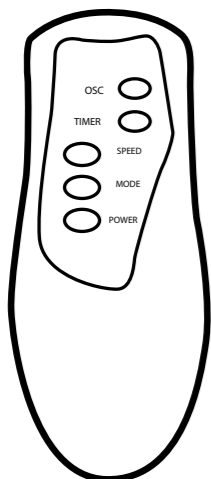
Model no.	DCTF92R
Colour	Black
Power supply	220-240V-50Hz
Rated power	45W
Speed settings	3
Modes	3
Timer	0-7.5 hours
Air volume	30.35m <sup>3</sup> /min
Oscillating	60 degrees
Controls	Button or Remote
Cord storage	N
Noise level (MAX)	58.5dB(A)
Weight (net)	3.36kg
Dimensions (w x d x h)	340 x 340 x 910mm

- For greater precision, please always refer to the rating label placed on the product.

## Parts

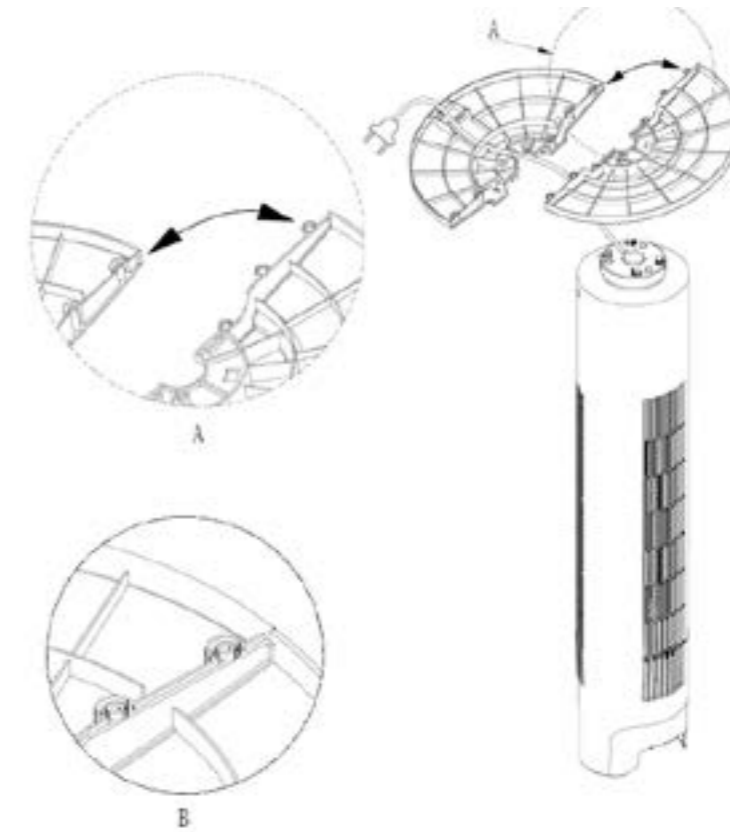


### Remote

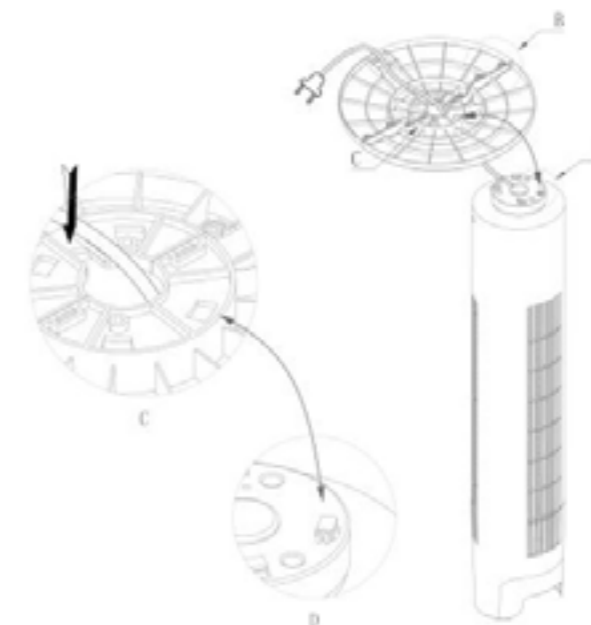


## Assembly

Please refer to the below instructions & diagrams to assemble the base to the body of the tower fan. The base of the tower fan comes in two parts, which fit around the main body of the fan. Both parts fit easily together, the back half has a section cut out for the power cord.

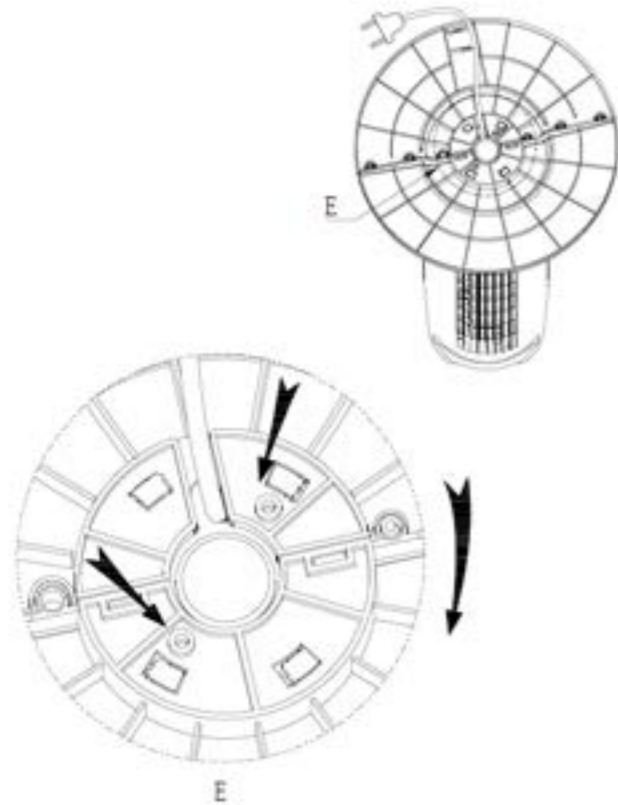


1. When joining the base together, make sure the left part of the base (A) with cord storage is on the bottom and the right part of the base (B) is joining from the top and clip it in.

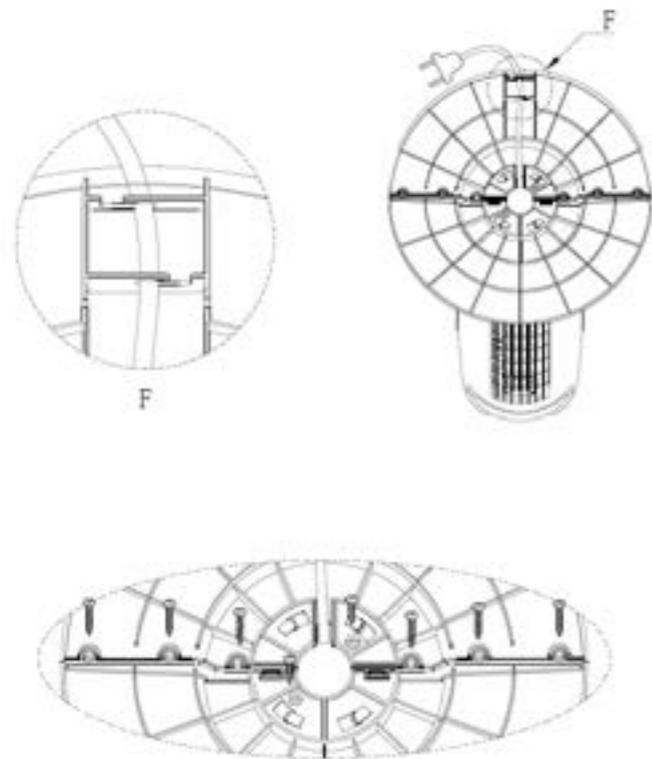


2. When joining the base (C) and the body (D) together, the power cord should be laying to the right of the base. There are four holes in the base to clip on to the unit.

## Assembly



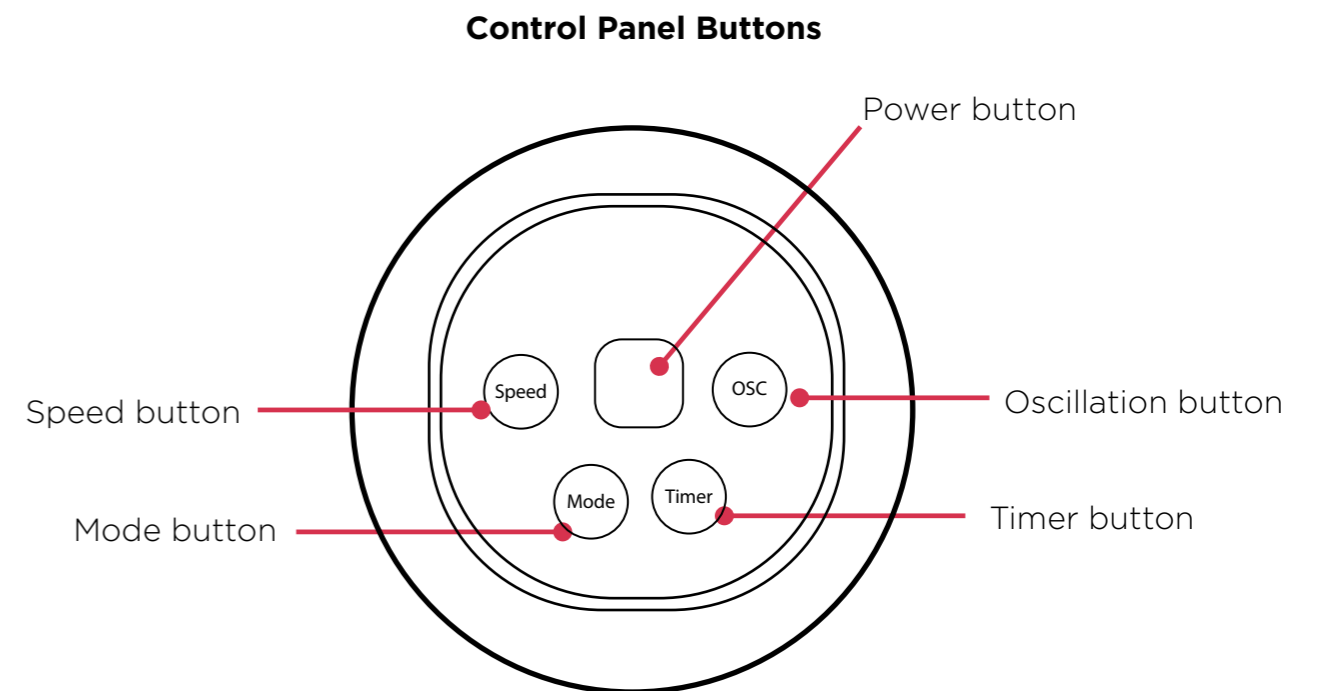
- Rotating the base in a clockwise direction, once the base and body (E) of the fan click in together, use two screws to secure it in place.



- Lastly fit the cable into the base as shown (F) and fit 8 screws into the base as shown above. **Warning:** The two screws in the middle are smaller.

## Operation

This tower fan can be operated by the control panel or remote control. Please refer to the below diagrams for descriptions.



### Remote Control Buttons

The remote control uses 2 x AAA batteries (not supplied). Open the battery cover and install the batteries ensuring the correct polarity. Replace the battery cover. The remote requires a line of sight for the signal to be received by the unit. If the remote no longer works, try replacing the batteries. Do not mix new and old batteries.

Press the **POWER** button to turn the fan **ON** and press the same button to turn the fan **OFF**.

There are 3 **SPEED** settings - Low, Medium and High. You can adjust the fan speed by pressing the **SPEED** button.

Press the **TIMER** button to set the auto-off timer in 0.5 hour increments, up to a maximum of 7.5 hours. The fan will turn off once the time has elapsed.

Press the **MODE** button to select either Normal, Natural or Sleep modes. **Note:** The **MODE** display will change depending on the **MODE** selected. NL = Normal mode, NT = Natural mode & SL = Sleep mode.

Press the **OSC** button to start/stop the left to right oscillation function.

## Operation

**Note:** All functions of the unit can be operated by the control panel or remote control.

1. Place the fan on a flat stable surface and plug into a power outlet.
2. Press the **POWER** button to turn the fan **ON** and press the same button to turn the fan **OFF**.
3. There are 3 **SPEED** settings - Low, Medium and High. You can adjust the fan speed by pressing the **SPEED** button.
4. Press the **TIMER** button to set the auto-off timer in 0.5 hour increments, up to a maximum of 7.5 hours. The fan will turn off once the time has elapsed.
5. Press the **MODE** button to select either Normal, Natural or Sleep modes. **Note:** The **MODE** display will change depending on the **MODE** selected. NL = Normal mode, NT = Natural mode & SL = Sleep mode.
6. Press the **OSC** button to start/stop the left to right oscillation function.
7. Press the **POWER** button to turn the unit off.

## Mode Description

**Normal:** When this mode is selected, the fan will operate as normal, in the settings selected.

**Natural:** This mode changes from soft to a strong breeze to imitate natural wind.

**Sleep:** The fan speed will change from soft to strong in rhythmic cycles. The display will indicate the mode selected.

## Cleaning

Over time, dust can accumulate on the fan grille, which can affect the fans performance. It is recommended to clean the fan at least once a month.

1. Turn the unit OFF and disconnect the appliance from the power supply.
2. Remove any dust build up with a soft brush.
3. Use a vacuum cleaner to remove dust and fluff from around the grille.
4. Wipe the surface of the unit with a soft damp cloth. Mild detergent can be used for any stubborn marks.
5. Ensure the fan is dry before plugging it back into the power supply.

**Do not** use abrasive sponges, scouring pads, or a stiff brush to clean the unit.

### IMPORTANT

The control panel and other parts must not come into contact with water or any other liquids.

### Storage

If not using the unit for an extended period of time, after cleaning please:

- Turn the unit off, unplug and take care of the mains lead & plug.
- Cover the unit and store it upright in a location where it will not receive direct sunlight. NB- Prolonged exposure to direct sunlight will discolour the enclosure.

## Maintenance

If the unit fails to operate efficiently, is broken or other problems arise, unplug and do not operate. Ask for advice by calling your local after sales service agent or the Customer Care Centre on 1300 556 816 (AU) / 0800 666 2824 (NZ).

## Warranty

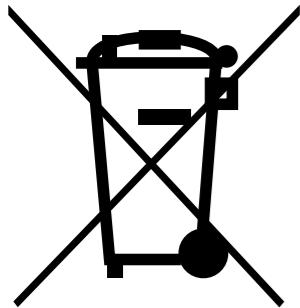
Please refer to the warranty card in the box for warranty information. For any troubleshooting advice, please contact the relative Customer Care Centre below.

### **Glen Dimplex Australia Pty Ltd**

8 Lakeview Drive,  
Scoresby 3179, Victoria  
Australia  
Ph: 1300 556 816

### **Glen Dimplex New Zealand Ltd**

38 Harris Road, East Tamaki,  
Auckland 2013  
New Zealand  
Ph: 0800 666 2824



Recycling: Do not dispose of electrical appliances as unsorted municipal waste. Use separate collection facilities. Contact your local government for information regarding the collection systems available. If electrical appliances are disposed of in landfills or dumps, hazardous substances can leak into the ground water, polluting the food chain and damaging health and well-being.



**Customer Care:** 1300 556 816  
customer.care@glendimplex.com.au  
www.dimplex.com.au

Supplied by Glen Dimplex Australia  
8 Lakeview Drive, Scoresby, Victoria, 3179

---

© Glen Dimplex Australia. All rights reserved. Material contained in this publication may not be reproduced in whole or in part, without prior permission in writing of Glen Dimplex Australia.

DCTF92R REV1