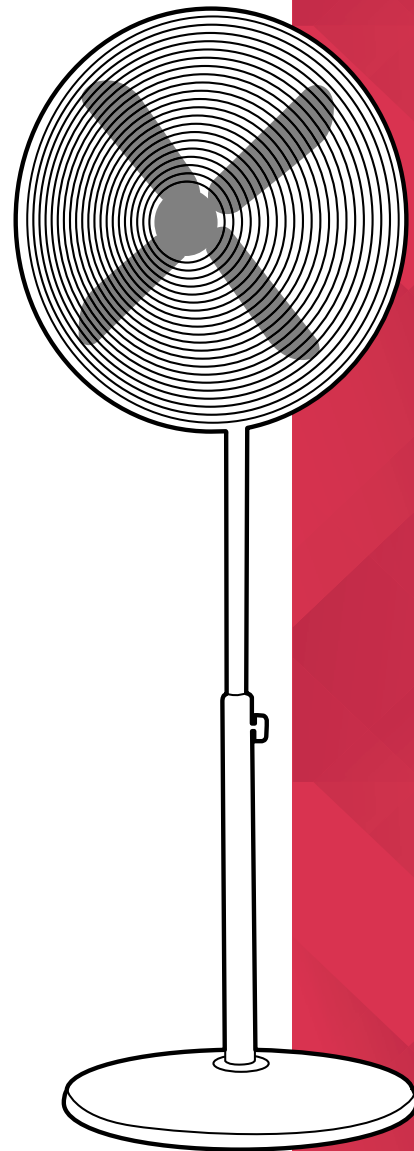




INSTRUCTION MANUAL



40cm HV Pedestal Fan

Model: DCPF40CH

For domestic household use
only.



IMPORTANT

THESE INSTRUCTIONS SHOULD BE READ CAREFULLY AND RETAINED FOR FUTURE REFERENCE. Note also the information presented on the appliance

CAUTION: FAILURE TO FOLLOW THESE INSTRUCTIONS MAY CAUSE INJURY AND/OR DAMAGE AND MAY INVALIDATE YOUR WARRANTY

Please read the operating instructions carefully before using your fan for the first time and keep them in a safe place.

WARNING – This appliance must not be used in a bathroom.

WARNING – Do not use this appliance in the immediate surroundings of a bath, a shower or a swimming pool.

- If the mains lead is damaged it must only be replaced by the manufacturer's service agent or a similarly qualified person in order to avoid a hazard.
- This appliance is not intended for use by persons (including children) with reduced physical, sensory or mental capabilities, or lack of experience and knowledge, unless they have been given supervision or instruction concerning use of the appliance by a person responsible for their safety.
- Children should be supervised to ensure they do not play with the appliance.
- The fan must always be switched OFF and disconnected from a power supply before removing the guard for cleaning.
- Never immerse the appliance in water or other liquids.
- Operate this unit only on a firm, flat surface.
- Do not place on soft, unstable or non-horizontal/angled surfaces.
- Never operate the appliance if a cable or connector has been damaged, after appliance malfunction or if the appliance was dropped or is otherwise damaged.
- Please ask a professional service agent to repair the product. Improper repair may cause danger to users.
- Disconnect the appliance from mains power whenever it is not in use, before relocating it, and before cleaning.
- Operate the appliance only at the voltage specified on the rating label.
- Only connect the unit to a properly installed and easily accessible socket so that you can quickly disconnect the plug if necessary.
- Do not connect this product to the mains using an extension lead.
- This fan is only intended for INDOOR RESIDENTIAL applications. This fan should not be used for commercial or industrial or leisure applications

or in small enclosed spaces.

- Never use the mains lead as a carrying strap or pulling lead.
- To avoid a fire or electrocution hazard, NEVER put the cord near heat registers, radiator, stoves or heaters.
- DO NOT cover cord with carpeting, throw rugs, runners, or similar coverings.
- DO NOT route cord under furniture or appliances. Take care to position the cord away from traffic areas and where it will not be a tripping hazard.
- DO NOT use the unit near windows or where water collects. Rain and water collection may lead to a risk of fire or electric shock.
- Only operate this appliance with a minimum of 50cm clearance all around i.e. away from walls, furniture and overhanging objects such as curtains or a shelf.
- WARNING: To avoid danger of suffocation please remove all packaging materials particularly plastic and EPS and keep these away from vulnerable people, children and babies.
- NEVER drop or insert any object or fingers into any openings.
- Do not use the appliance in locations where paint, petrol or other flammable liquids are used or stored.
- Do not use bug sprays or other flammable cleansers/vapour sprays on or around the unit.
- Always switch off the unit and take the plug out of the socket:
 - If you are not using the unit
 - Before you clean or carry out maintenance on the unit
 - If a fault occurs
 - In the event of an electrical storm.
- Avoid electromagnetic interference. Keep the unit at least 1 metre away from electrical appliances such as televisions & radios.
- DO NOT use this appliance with an extension lead or power board.



Exposed to the weather outdoors



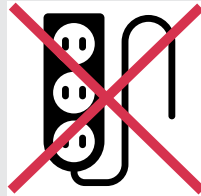
Near water



If the power cable wires are frayed or cut



Where small children may be left unattended



No extension leads or power boards.



Where the power cable may be damaged



On a slope or uneven surface



Where there is risk of fire or close to a naked flame



Where it may be damaged by chemicals



Where there is a risk of interference by foreign objects



This product is not made for DIY repair



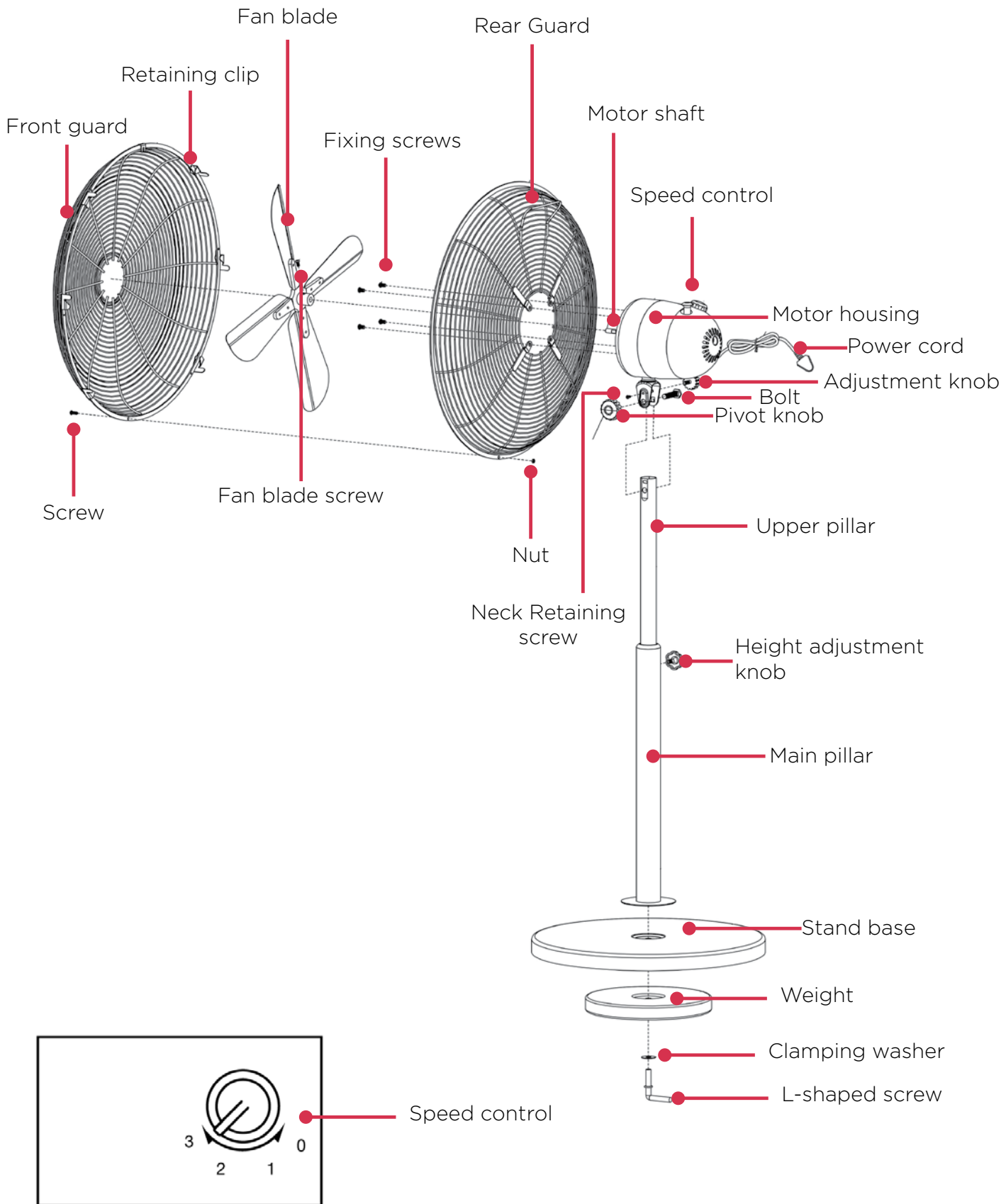
If there is a risk of water falling on the unit

Specification

Model no.	DCPF40CH
Colour	Chrome
Power supply	220-240V~, 50Hz
Rated power	45W
Speed settings	3
Modes	-
Timer	-
Air volume	50m ³ /min
Adjustable height	Yes - Max height 1.16m
Tilt adjustable head	Y
Horizontal oscillation	Y
Noise level (MAX)	65dB(A)
Weight (net)	5.9kg
Dimensions (w x d x h)	450 x 368 x 1160mm

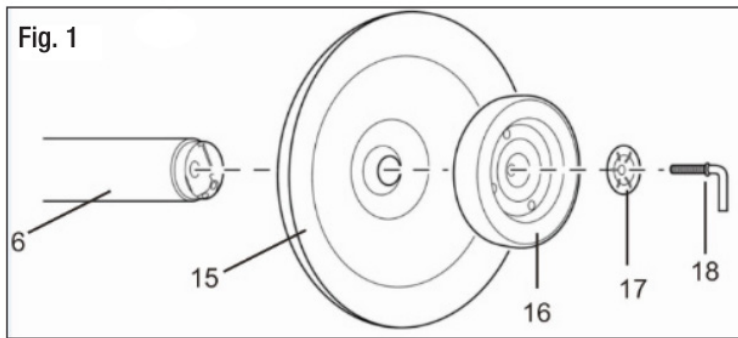
- For greater precision, please always refer to the rating label placed on the product.

Parts



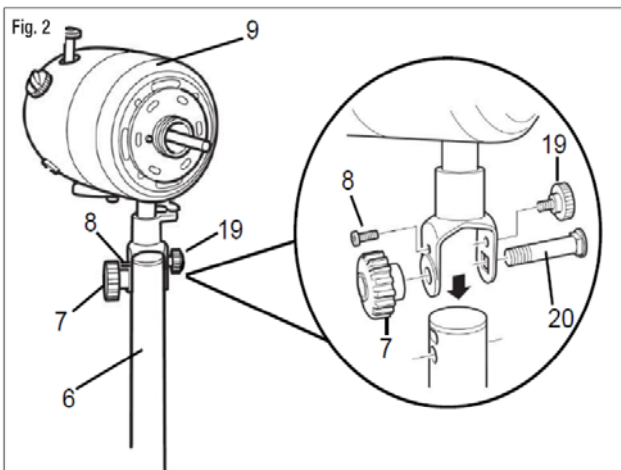
Assembly

First assemble the base to the main pillar - refer to Fig. 1 & instructions below:



1. First unscrew the L-shaped screw (18) and remove it and the clamping washer (17) from the bottom of the main pillar (6).
2. Turn over the stand base (15). Place the weight (16) in its place on the underside of the base and place the clamping washer (17) in the centre of the weighted base (16).
3. Thread the L-shaped screw (18) through the assembly and into the thread of the main pillar (6). Tighten firmly, but do not overtighten.
4. Loosen the height adjustment knob and pull the upper pillar out of the main pillar and secure the knob to the desired height.

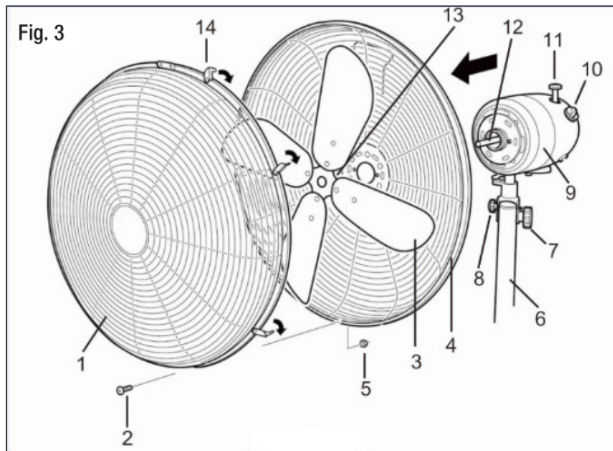
Secondly, attach the motor housing to the base & upper/main pillar - refer to Fig 2 & the instructions below:



1. First remove the pivot knob (7) and the bolt (20) from the top of the upper pillar (6), then remove the neck retaining screw (8) and small adjustment knob (19) from the motor housing bracket.
2. Place the motor housing on the top of the upper pillar and thread the large pivot bolt (20) through the bracket. Screw in the small retaining screw (8) and tighten, but do not overtighten.
3. Fit the large pivot knob (7) onto the end of the bolt (20) and the small adjustment knob (19) at the other side above the bolt. Tighten the knobs while holding the fan motor upright.

Assembly

Lastly, attach the fan head to the motor - refer to Fig. 3 & the instructions below:



1. Remove the protective sleeve from the motor shaft (12) and the four fixing screws from the motor housing. Attach the rear guard (4) to the motor housing (9) using the four screws you just removed. Ensure the handle is at the top.
2. Place the fan blade (3) over the motor shaft (12) and tighten the fan blade screw completely, ensuring that it tightens against the flat part of the motor shaft.
3. Remove the front guard screw and nut (2, 5) from the front guard and release the guard retaining clips (14) around the outside edge outwards.
4. Hang the front guard (1) by its hook over the top of the rear guard (4). Bring the front guard down to meet the rear guard and fit the guard screw (2) through the holes in the bottom edge of the guard and tighten with the nut (5). Finally push the clips inwards until the front guard is attached to the rear guard.

Operation

1. Place the fan on a firm level surface. Connect the plug to a power supply and switch on the power.
2. Turn the fan ON by rotating the speed control knob on the motor housing in clockwise direction.
3. The fan has 3 SPEEDS to choose from, "1" - Low, "2" - Medium, "3" - High.
4. The airflow direction can be adjusted upward/downward by lifting up or pressing down the motor housing.

NOTE: Only adjust the fan head when the unit is OFF. Be careful not to insert your fingers through the guard.

5. Push the oscillating knob on the motor housing down to start OSCILLATION. Pull the oscillation knob up to stop OSCILLATION.
6. Turn the speed control knob anti-clockwise to the "0" position to turn the fan OFF.

Cleaning

Over time, dust can accumulate on the front & rear grille cover and fan blades, which can affect the fans performance. It is recommended to clean the fan at least once a month.

1. Turn the unit OFF and disconnect the appliance from the power supply.
2. Remove any dust build up with a soft brush.
3. Wipe the surface of the unit with a soft damp cloth. Mild detergent can be used for any stubborn marks.

Do not use abrasive sponges, scouring pads, or a stiff brush to clean this product.

IMPORTANT

The control panel and other parts must not come into contact with water or any other liquids.

Storage

If not using the unit for an extended period of time. After cleaning please:

- Turn the unit off, unplug and take care of the mains lead & plug.
- Cover the unit and store it upright in a location where it will not receive direct sunlight. NB- Prolonged exposure to direct sunlight will discolour the enclosure.

Maintenance

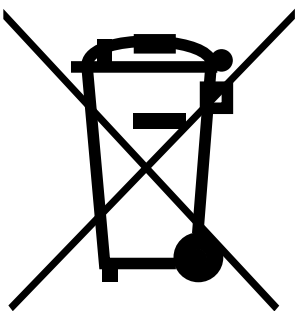
If the unit fails to operate efficiently, is broken or other problems arise, unplug and do not operate. Ask for advice by calling your local after sales service agent or the Customer Care Centre on 1300 556 816 (AU) / 0800 666 2824 (NZ).

Warranty

Please refer to the warranty card in the box for warranty information. For any troubleshooting advice, please contact the relative Customer Care Centre below.

Glen Dimplex Australia Pty Ltd
8 Lakeview Drive,
Scoresby 3179, Victoria
Australia
Ph: 1300 556 816

Glen Dimplex New Zealand Ltd
38 Harris Road, East Tamaki,
Auckland 2013
New Zealand
Ph: 0800 666 2824



Recycling: Do not dispose of electrical appliances as unsorted municipal waste. Use separate collection facilities. Contact your local government for information regarding the collection systems available. If electrical appliances are disposed of in landfills or dumps, hazardous substances can leak into the ground water, polluting the food chain and damaging health and well-being.



Customer Care: 1300 556 816
customer.care@glendimplex.com.au
www.dimplex.com.au

Supplied by Glen Dimplex Australia
8 Lakeview Drive, Scoresby, Victoria, 3179

© Glen Dimplex Australia. All rights reserved. Material contained in this publication may not be reproduced in whole or in part, without prior permission in writing of Glen Dimplex Australia.

DCPF40CH REV2