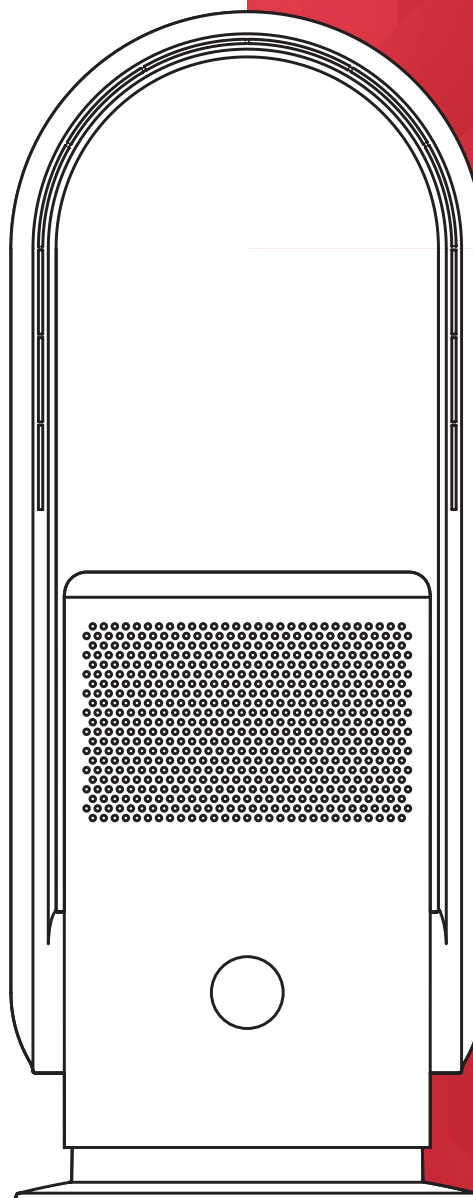




INSTRUCTION MANUAL



Alden SmartHome Purifying Bladeless Fan

Model: DCMFBHSH

For domestic household use only.



IMPORTANT

THESE INSTRUCTIONS SHOULD BE READ CAREFULLY AND RETAINED FOR FUTURE REFERENCE.

Note also the information presented on the appliance

CAUTION: FAILURE TO FOLLOW THESE INSTRUCTIONS MAY CAUSE INJURY AND/OR DAMAGE AND MAY INVALIDATE YOUR WARRANTY

Please read the operating instructions carefully before using your fan for the first time and keep them in a safe place.

WARNING - This appliance is for use only with the supplied power adapter.

WARNING - This appliance must not be used in a bathroom.

WARNING - Do not use this appliance in the immediate surroundings of a bath, a shower or a swimming pool.

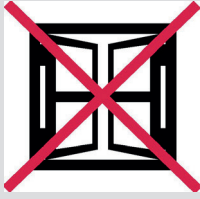
- If the mains lead is damaged it must only be replaced by the manufacturers service agent or a similarly qualified person in order to avoid a hazard.
- This appliance is not intended for use by persons (including children) with reduced physical, sensory or mental capabilities, or lack of experience and knowledge, unless they have been given supervision or instruction concerning use of the appliance by a person responsible for their safety.
- Children should be supervised to ensure they do not play with the appliance.
- Prior to cleaning or other maintenance, the appliance must be disconnected from the supply mains.
- Never immerse the appliance in water or other liquids.
- Do not place on soft, unstable or non-horizontal/angled surfaces.
- Never operate the appliance if a cable or connector has been damaged, after appliance malfunction or if the appliance was dropped or is otherwise damaged.
- Please ask a professional service agent to repair the product. Improper repair may cause danger to users.
- Disconnect the appliance from mains power whenever it is not in use, before relocating it, and before cleaning.
- Operate the appliance only at the voltage specified on the rating label.
- Only connect the unit to a properly installed and easily accessible socket so that you can quickly disconnect the plug if necessary.
- Do not connect this product to the mains using an extension lead.
- This fan is only intended for **INDOOR RESIDENTIAL** applications. This fan should not be used for commercial or industrial or leisure applications or in small enclosed spaces.
- Never use the mains lead as a carrying strap or pulling lead.

- To avoid a fire or electrocution hazard, **NEVER** put the cord near heat registers, radiator, stoves or heaters.
- **DO NOT** cover cord with carpeting, throw rugs, runners, or similar coverings.
- **DO NOT** route cord under furniture or appliances. Take care to position the cord away from traffic areas and where it will not be a tripping hazard.
- **DO NOT** use the unit near windows or where water collects. Rain and water collection may lead to a risk of fire or electric shock.
- **DO NOT COVER.**
- Only operate this appliance with a minimum of 50cm clearance all around i.e. away from walls, furniture and overhanging objects such as curtains or a shelf.
- **WARNING:** To avoid danger of suffocation please remove all packaging materials particularly plastic and EPS and keep these away from vulnerable people, children and babies.
- **NEVER** drop or insert any object or fingers into any openings.
- Do not use the appliance in locations where paint, petrol or other flammable liquids are used or stored.
- Do not use bug sprays or other flammable cleansers/vapour sprays on or around the unit.
- Always switch off the unit and take the plug out of the socket
 - If you are not using the unit
 - Before you clean or carry out maintenance on the unit
 - If a fault occurs
 - In the event of an electrical storm.
- Avoid electromagnetic interference. Keep the unit at least 1 metre away from electrical appliances such as televisions & radios.

WARNING - KEEP BATTERIES OUT OF REACH OF CHILDREN

- Swallowing may lead to serious injury in as little as 2 hours or death, due to chemical burns and potential perforation of the oesophagus.
- If you suspect your child has swallowed or inserted a button battery immediately call the 24-hour Poisons Information Centre on 13 11 26 (in Australia) or 0800 764 766 (in New Zealand) for fast, expert advice.
- Examine devices and make sure the battery compartment is correctly secured, e.g. that the screw or other mechanical fastener is tightened. Do not use if the compartment is not secure.
- Dispose of used button batteries immediately and safely. Flat batteries can still be dangerous.





Exposed to the weather outdoors



Near water



If the power cable wires are frayed or cut



Where small children may be left unattended



If an extension lead may become overloaded



Where the power cable may be damaged



On a slope or uneven surface



Where there is risk of fire or close to a naked flame



Where it may be damaged by chemicals



Where there is a risk of interference by foreign objects



This product is not made for DIY repair



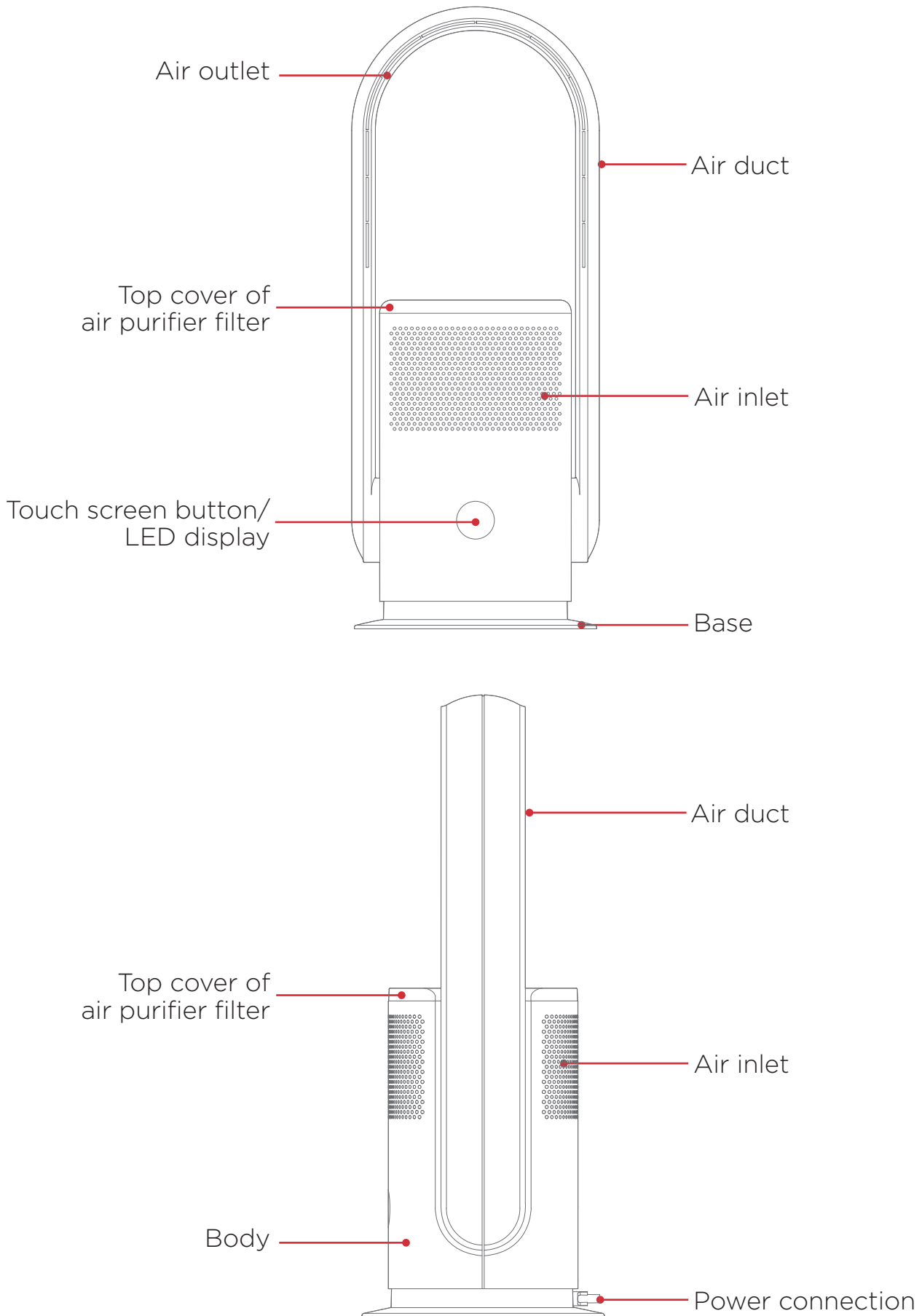
If there is a risk of water falling on the unit

Specification

Model no.	DCMFBHSH
Rated voltage	24VDC
Rated voltage/frequency for adaptor	100-240V 50/60Hz
Rated power	35W
Speed settings	9
Modes	Sleep & Strong
Timer	0-8hr
Wind flow (max)	3.5m/s
Motor	DC
Controls	Touch or remote
Oscillation	80 degrees
Noise level	≤55dB
Weight	2.84kg
Dimensions (w x d x h)	235 × 230 × 592mm

- For greater precision, please always refer to the rating label placed on the product.

Parts



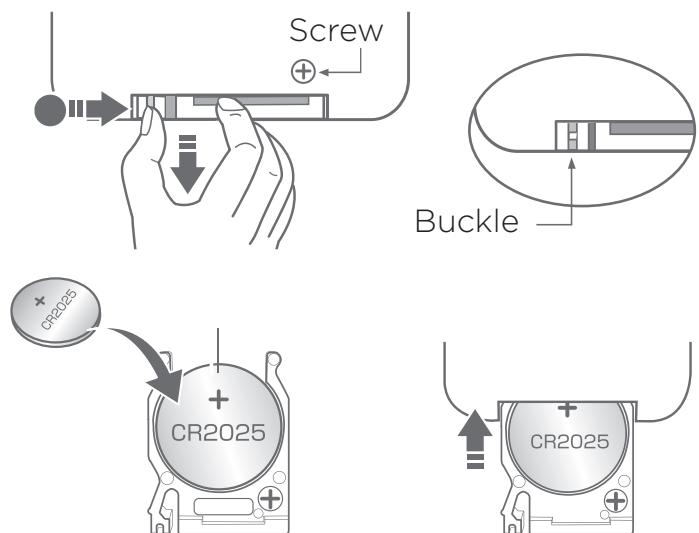
Fan Operation

A. Assembly

This bladeless fan comes fully assembled. Please remove any packing materials prior to first use.

B. Battery Installation

1. Unscrew and remove the battery cover at the back of remote control
2. Insert the CR2025 battery
3. Replace the battery cover



C. Remote control panel



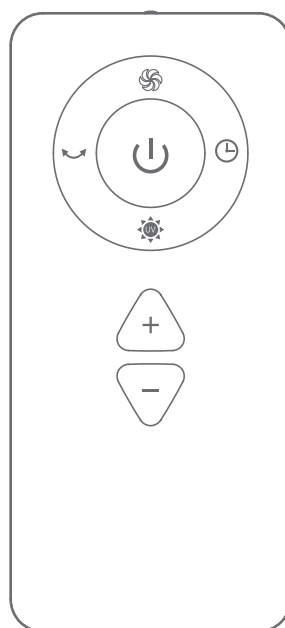
Power button



Strong wind mode



UV sterilization



Swing



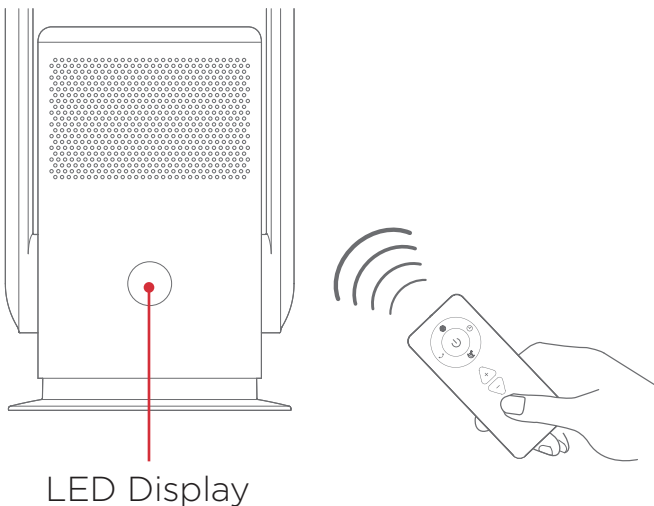
Increase/decrease airflow buttons



Sleep timer

D. LED Display

The fan can also be controlled by pressing the LED Display, however not all settings can be accessed this way. Refer to the 'Operation' section for instructions.



The remote control should be pointed at the remote control signal receiver on the display to maximize the remote control signal.

E. Smartphone App Control

Every function of the fan can be controlled from your Smartphone. Search and download "Tuya Smart" from your App Store to get started - you will need to register an account when using for the first time.

1. Once you have downloaded and opened TUYA, you can add a device.
2. Select 'Add Manually' and choose the category Small Home Appliances>Fan (Wi-Fi)
3. Follow the prompts to add your home WiFi network connection details
4. To pair/reset the fan, press and hold the LED display on the fan for 5 seconds (you will hear 3 beeps). An "F" will appear and blink on the display of the fan. Tick the box shown on your app screen to confirm the "F" indicator light is blinking and tap 'Next'.
5. The app will add the fan and then you can edit device name to a more familiar term.
6. Once added successfully, you can access all functions from the TUYA display, much like using a remote.
7. You can add multiple devices with the one TUYA app, and multiple users can control the device at a time.

ATTENTION:

PLEASE READ THIS MANUAL CAREFULLY BEFORE CONNECTING DEVICE TO THE POWER SUPPLY. CHECK THE VOLTAGE MATCHES THE UNIT RATING BEFORE OPERATING.

(RATED ELECTRIC POWER FOR POWER ADAPTOR: 220-240V; 50 Hz).

WARNING - THIS APPLIANCE IS FOR USE ONLY WITH THE SUPPLIED POWER ADAPTER.

Note: You will hear a beep sound for every press of the button on the fan or remote control. This cannot be turned off.

REMOTE CONTROL OPERATION



1. Turn the fan On/Off by pressing the Power button.



2. The strong wind mode can only be turned on via the remote control. When this mode is activated a 'H' will appear on the LED display screen. Press the speed increase '+' or decrease '-' button to exit this mode.



3. UV sterilisation can only be turned on via the remote control. Press the button once to turn on. When this function is activated a 'U' will appear on the LED display screen. Press the button again to cancel UV sterilisation. UV sterilization will automatically shut down after 1 hour.



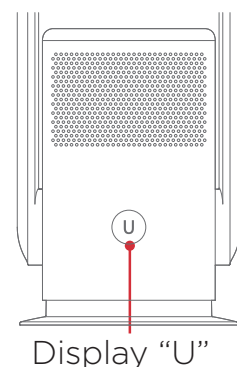
4. Press the oscillation button to begin oscillation. Press the oscillation button again to cancel oscillation.



5. Press the speed increase '+' or decrease '-' buttons to cycle through the speed settings from 1-9. The selected speed setting will appear on the LED display.



6. This purifying fan is equipped with a 1 to 8 hour auto off timer. Press the timer button to set the timer in 1 hour increments. The set time will briefly appear on the LED display. To cancel the timer, cycle through the hours set until '0' shows on the display. Other settings can still be used when a timer is set.



Display "U"

SMARTPHONE APP OPERATION

The TUYA app allows you access to three main wind modes:

Sleep – Low wind mode

Fresh – Natural wind mode

Boost – Strong wind mode*

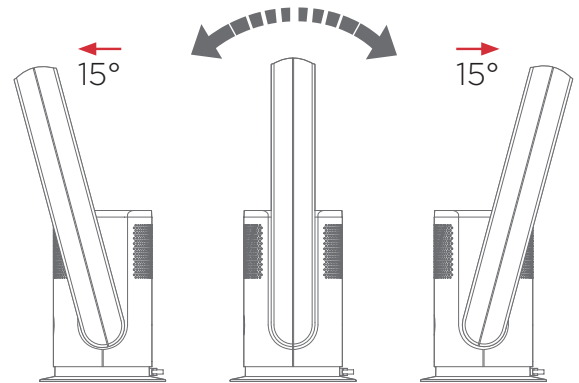
**This mode can also be activated via the remote control*

All other functions are the same as outlined under Remote Control Operation.

LED DISPLAY OPERATION

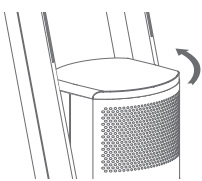
Some functions can be operated by pressing the LED Display. To have full use of all functions, please use the remote control.

1. Hold fan body with one hand and set the wind outlet to the desired angle.
2. Turn the fan On by pressing the LED Display screen for 1 second until you hear 1 beep. The fan will start working in the previous settings. To turn the fan off, press and hold the LED display screen for 2 seconds until 2 beeps sound.
3. When the fan is already on, press the LED Display for 1 second to start oscillation - 1 beep will sound. To stop oscillation, press the LED display for 1 second and the fan will beep once and stop oscillating.
4. To adjust the fan speed, briefly touch the LED Display to cycle through the desired speed settings (1 to 9), a beep will sound for every speed change. The speed setting will display on the screen.

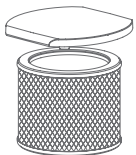


FILTER

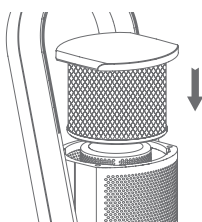
This purifying bladeless fan comes equipped with a HEPA-11 Filter which traps 99.97% of airborne allergens, pollutants, bacteria and gases. Please follow the steps below to install/replace the air filter.



1. Turn the filter system top cover counter-clockwise to unlock the filter chamber.



2. Connect or disconnect the filter from the top cover by gently pulling the white cover from the filter

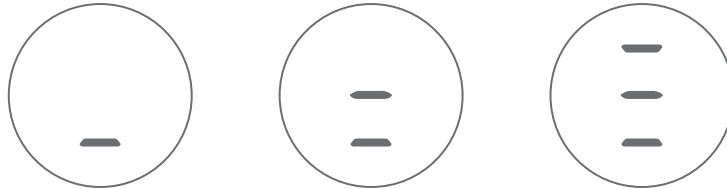


3. After assembling, put back into the filter chamber and secure by turning the top cover clockwise.

Operation

Filter Replacement Reminder:

After 720 hours of use, when the purifying bladeless fan is turned on, it will beep 5 times and after 5 seconds, the LED screen will light up and display and cycle through icons as shown on image below.

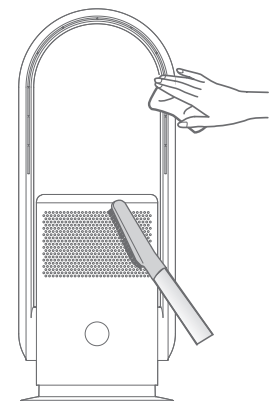


After the filter has been replaced, press the power button on the remote control for 5 seconds to clear and reset the Filter Replacement Reminder.

Cleaning

Over time, dust can accumulate on the rear net which can affect the fan's performance. It is recommended to clean the fan at least once a month.

1. Turn the unit off and disconnect the appliance from the power supply.
2. Remove any dust build up with a soft brush, and gently clean the rear net with a vacuum cleaner.
3. Wipe the surface of the unit with a soft damp cloth. You may use a mild detergent for any stubborn marks.



IMPORTANT

The control panel and other parts must not come into contact with water or any other liquids.

Maintenance

If the unit fails to operate efficiently, is broken or other problems arise, unplug and do not operate. Ask for advice by calling your local after sales service agent or the Customer Care Centre on 1300 556 816 (AU)/ 0800 666 2824 (NZ).

Warranty

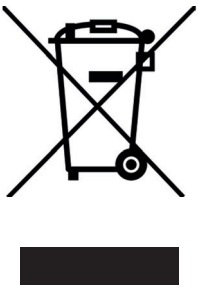
Please refer to the warranty card in the box for warranty information. For any troubleshooting advice, please contact the relative Customer Care Centre below.

Glen Dimplex Australia Pty Ltd

1340 Ferntree Gully Road,
Scoresby 3179, Victoria
Australia
Ph: 1300 556 816

Glen Dimplex New Zealand Ltd

38 Harris Road, East Tamaki,
Auckland 2013
New Zealand
Ph: 0800 666 2824



Recycling: Do not dispose of electrical appliances as unsorted municipal waste. Use separate collection facilities. Contact your local government for information regarding the collection systems available. If electrical appliances are disposed of in landfills or dumps, hazardous substances can leak into the ground water, polluting the food chain and damaging health and well-being.



Customer Care: 0800 666 2824
customer.care@glendimplex.co.nz
www.dimplex.co.nz

Supplied by Glen Dimplex New Zealand Ltd
38 Harris Road, East Tamaki, Auckland 2013